



DF250560
Dishwasher 200 series
Fully integrated
Height 81.5 cm

6 programmes with aqua sensor and 2 options, Power and Intensive: Clean and dry dishes in 80 minutes Intensive cleaning in the lower basket while protecting glassware in the upper basket
 TFT display for intuitive handling of all functions
 Bright interior lighting
 Very quiet: 40 dB
 Aqua stop
 Energy rating: 4 stars

Handling
 TFT display indicating remaining or end time, refill for salt and rinsing agent, inflow of water.
 Touch key operation.
 Information key with use indications.
 Time delay up to 24 hours.
 Visual and acoustic end of programme indicator.
 Info-Light.

Technical Features
 Bright interior lighting.
 Glass protection.
 Aqua sensor.
 Load sensor.
 Automatic detergent function.
 Heat exchanger.
 Continuous flow heater.
 Triple filter system.
 Soft lock.
 Aqua stop.

Programmes
 6 programmes:
 Auto 35 °C - 45 °C.
 Auto 45 °C - 65 °C.
 Auto 65 °C - 75 °C.
 Standard Eco 45°C.
 Quick wash 45 °C (29 min.).
 Pre-rinse.
 2 options:
 Intensive.
 Power.

Features
 Flexible basket system.
 Cutlery drawer.
 Upper basket:
 Rackmatic with 3 levels, adjustable in height up to 5 cm.
 2 folding spines.
 2 folding racks.
 Lower basket:
 4 folding spines.
 2 folding racks.
 Maximum dish sizes (upper/lower basket)
 27/25, 24,5/27.5 or 22/31 cm respectively.
 15 place setting capacity.

Consumption data
 4 Star energy rating, 5 Star WELS water rating
 12 L water consumption per wash.
 From 0.64 kWh.
 Noise level 40 dB (re 1 pW).

Planning notes
 Height-adjustable feet.
 Appliance plinth recess 100 mm (see drawing).
 Rear feet adjustable at front.
 Door weight up to 8.5 kg.
 Door panel dimension dependent on plinth height of kitchen furniture.

Connection
 Connecting cable pluggable.
 Water connection with 3/4" screw joint.

Characteristics
Water consumption (l)
 12.0
Built-in / Free-standing
 Built-in
Height of removable worktop (mm)
 0
Dimensions of the product (HxWxD)
 815 x 598 x 550
Required niche size for installation (HxWxD)
 815-875 x 600 x 550
Depth with open door 90 degree (mm)
 1150
Adjustable feet
 Yes - all from front
Maximum adjustability feet (mm)
 60
Adjustable plinth
Net weight (kg)
 41.830
Gross weight (kg)
 44.0
Connection Rating (W)
Current (A)
 10
Voltage (V)
 220-240
Frequency (Hz)
 50; 60
Length electrical supply cord (cm)
 175
Plug type
 AU plug
Length inlet hose (cm)
 165
Length outlet hose (cm)
 190
EAN code
 4242006278847
Number of place settings
 15
Energy efficiency rating
Energy consumption annual (kWh/annum) - NEW (2010/30/EC)
Energy consumption (kWh)
 0.64
Power consumption in left-on mode (W) - NEW (2010/30/EC)
Power consumption in off-mode (W) - NEW (2010/30/EC)
Water consumption annual (l/annum) - NEW (2010/30/EC)
Drying performance
Reference programme
 Eco
Total cycle time of reference programme (min)
 170
Noise level (dB)
 40
Installation typology
 Full-integrated

Consumption and connection features
2021-06-08
Page 1

Connection to hot or cold water possible.

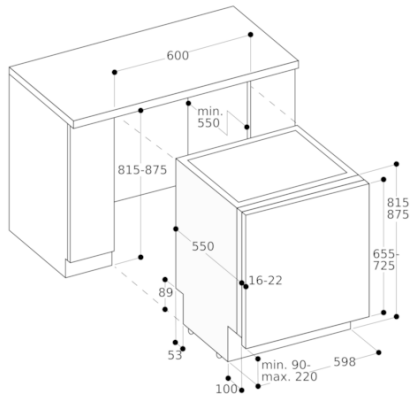
Color Variants
DF250560
Fully integrated
Height 81.5 cm

Included accessories
 1 x baking tray spray head.

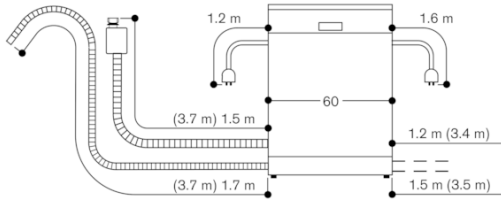
Optional accessories
DA042030
DA043000
DA043060
Glass basket

Installation Accessories
GH045010
 Handle bar with 2 mounts, stainless steel, Length 45 cm, drilling distance 427 mm

81.5 cm high dishwasher



Connection dimensions for a 60 cm wide dishwasher



() values with extension kit