



DVP221130

BA080670:

Vacuuming bags, 180 x 280 mm, 100 pcs.

BA080680:

Vacuuming bags, 240 x 350 mm, 100 pcs.

Built-in vacuum drawer 200 Series 60 x 14 cm, Gaggenau Silver

DVP221130

Integrable in 14 cm high niche
Hygienic stainless steel vacuuming chamber,
applicable height up to 80 mm
3 vacuuming levels for vacuuming in the
chamber, max. 99%
3 vacuuming levels for vacuuming outside the
chamber, max. 90%
Automatic connection recognition for vacuuming
outside the chamber
Flush installation
Handleless drawer
Push-to-open system

Application

Vacuuming for sous-vide cooking.
Vacuuming for fast marinating and flavouring.
Vacuuming for extended storage.
Vacuuming of vacuuming containers outside the
chamber.
Vacuuming of liquids in bottles outside the
chamber.

Capacity

Touch key operation.

Features

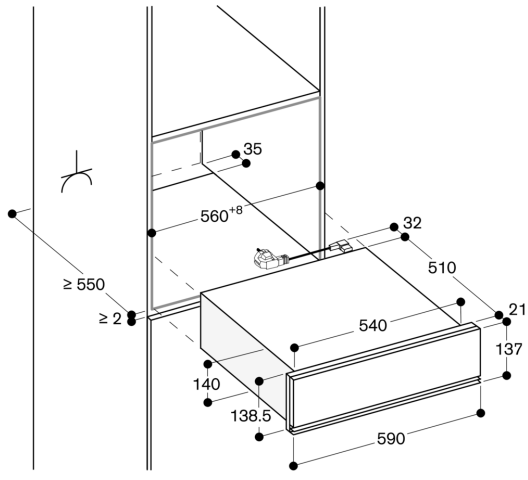
Net volume 7 litres.
Capacity load max. 10 kg.
Maximum size of vacuuming bags W 240 mm x L
350 mm.
3 heat-sealing levels for different strengths of
bag material.
Sealing bar, non-stick coating, removable.
Safety glass cover, opens automatically after
vacuuming.
Raised vacuuming platform, 44 mm, deployable.
Utility space in vacuuming chamber, W 210 mm
x L 275 mm.
Membrane for avoiding reflow of liquids during
vacuuming outside the chamber.
Drying programme for vacuuming pump.
Warning function.

Performance

Necessary lateral gap between appliance front
and furniture panel of min. 5 mm.
The panel surface of the appliance extends 21
mm from the furniture cavity.
Installation of BS/BM/CM directly above DV in
59 cm niche without intermediate floor.
Built-in under worktop or in single niche.
The socket can be planned behind the
appliance.

Connection

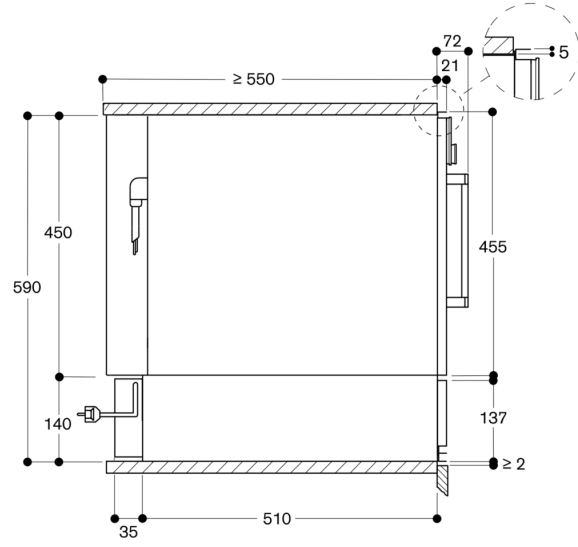
Total connected load 0.32 KW.



Socket

measurements in mm

Side view DVP 221 below BSP, BMP, CMP



measurements in mm