



EB333110

Oven

stainless steel

Width 90 cm

One-piece front-hinged door with 3 mm precision crafted stainless steel front door panel  
Cushioned door opening and closing system  
Diagonally positioned light sources for optimal interior lighting  
Pyrolytic system  
17 heating methods, with core temperature probe, rotisserie spit and baking stone function  
Hot air fan rotates in both directions for ideal heat distribution  
TFT touch display  
Panel-free appliance with control module behind glass  
Net volume 83 litres

#### Heating methods

Hot air. Eco hot air. Top + bottom heat. Top + 1/3 bottom heat. Top heat. 1/3 top + bottom heat. Bottom heat. Hot air + bottom heat. Hot air + 1/3 bottom heat. Full surface grill + circulated air. Full surface grill. Compact grill. Baking stone function. Roaster function. Dough proofing. Defrosting. Keeping warm.

#### Handling

Rotary knob and TFT touch display operation.  
Clear text display.  
Option to save individual recipes (incl. core temperature probe).  
Information key with use indicators.  
Front-hinged door with 90° door opening angle.

#### Features

Core temperature probe with automatic shut-off.  
Rotisserie spit.  
Baking stone socket.  
Actual temperature display.  
Rapid heating.  
Timer functions: cooking time, cooking time end, timer, stopwatch, long-term timer.  
60 W halogen light on the top.  
2 x 10 W halogen light on the side.  
Enamelled side shelf supports with 3 tray levels, pyrolysis-safe.

#### Safety

Thermally insulated door with quintuple glazing.  
Child lock.  
Safety shut-off.  
Cooled housing with temperature protection.

#### Cleaning

Pyrolytic system.  
Gaggenau enamel.  
Heated catalyser to clean the oven air.

#### Planning notes

The door panel surface of the appliance extends 40 mm from the furniture cavity.  
The outer edge of the door handle extends 90 mm from the furniture cavity.  
For installation underneath cooktops: Distance between the underside of the cooktop and the top edge of the oven cavity: min. 15 mm. The planning notes for the cooktops (particularly regarding ventilation, gas/electric connection) must be taken into account.

#### Characteristics

Color / Material Front

Stainless steel

Built-in / Free-standing

Built-in

Integrated Cleaning system

Pyrolytic

Required niche size for installation

(HxWxD)

475-475 x 860-860 x 560

Dimensions of the product (mm)

480 x 890 x 550

Dimensions of the packed product

(HxWxD) (mm)

710 x 720 x 990

Control Panel Material

Stainless steel

Door Material

Stainless steel behind glass

Net weight (kg)

82.197

Usable volume of cavity (l)

83

Cooking method

Baking stone function, Bottom heat, Conventional heat, Defrost, Dough proving setting, Full width grill, Half width grill, Hot Air, Hot Air-Eco, Hot air grilling, Roaster function, Top heat, warming

First cavity material

Oven control

electronic

Number of interior lights

3

Approval certificates

Australia Standards, CCC, CE, China, China ROHS 20, Eurasian, G-Mark, Ukraine, VDE

Length electrical supply cord (cm)

EAN code

4242006260743

#### Consumption and connection features

Number of cavities (2010/30/EC)

1

Energy efficiency class (2010/30/EC)

A

Energy consumption per cycle

conventional (2010/30/EC)

1.32

Energy consumption gas oven per cycle

conventional (2010/30/EC)

Energy consumption per cycle forced

air convection (2010/30/EC)

0.86

Energy consumption gas oven per cycle

forced air convection (2010/30/EC)

Energy efficiency index (2010/30/EC)

95.6

Connection Rating (W)

5380

Current (A)

25

Voltage (V)

220-240

Frequency (Hz)

50

Plug type

fixed connection, no plug

2020-07-31

Page 1

To achieve the 550 mm installation depth, the connection cable needs to follow the slanted edge on the corner of the housing.  
The mains socket needs to be planned outside the built-in niche.

#### Connection

2.5 energy stars, 5.0 WELS water stars  
Total connected load 5.4 KW.  
Plan a connection cable.

#### Color Variants

EB333110

stainless steel

Width 90 cm

#### Included accessories

1 x enamel baking tray.

suit. pyrolytic clean.

1 x rotary spit.

1 x grill shelf.

1 x grill tub with grid.

1 x pluggable meat probe.

#### Optional accessories

BA018105

Pull-out system

BA028115

Baking tray, enamelled

BA038105

Wire rack, chromium-plated

BA058115

Heating element for baking stone and

Gastronorm roaster.

BA058133

Baking stone.

BA090100

Black rotary knobs for EB 333, set of 2

GN340230

Gastronorm roaster in cast aluminium.

EB333110

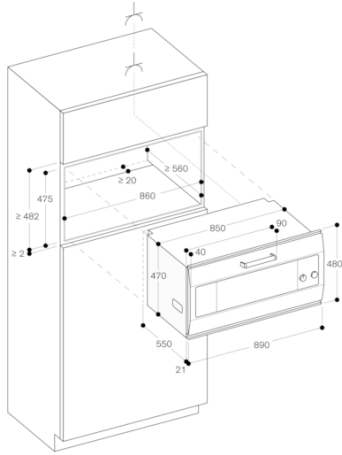
Oven

stainless steel

Width 90 cm

2020-07-31

Page 2



Socket  
measurements in mm