



---

RW282262

---

---

RA050220:  
Carbon airfilter

---

---

RA221311:  
Stainless steel door frame for RW 282

---

---

RA425110:  
Vario SS handle 1131 mm

---

---

**Built-in wine cooler 200 Series**  
177.2 x 56 cm  
RW282262

---

- Two independently controllable climate zones
- Extendable bottle trays in beech and aluminium
- Consistent temperatures with exact control from +5 °C to +20 °C
- 2 independently controllable climate zones
- Consistent temperatures with exact control from +5 °C to +20 °C
- Humidity control
- Extendable bottle trays in beech and aluminium
- Presentation light option
- Low-vibration operation
- Capacity 80 bottles

#### Capacity

Electronic temperature control with digital display.  
Touch keys.  
Presentation light option in each climate zone, dimmable.

#### Technical Information

Dynamic cold air distribution.  
Automatic defrosting with defrost water evaporation.  
Cushioned door closing system integrated in door hinge.  
1 activated charcoal air filter for both climate zones.  
UV-protection.  
Open-door and malfunction alarm.  
Child lock.

#### Features

Capacity 80 bottles (based on 0.75 l standard bottles).  
10 bottle trays, 8 of which are extendable.  
Storage of magnum bottles possible.  
LED lighting.

#### Consumption Rates

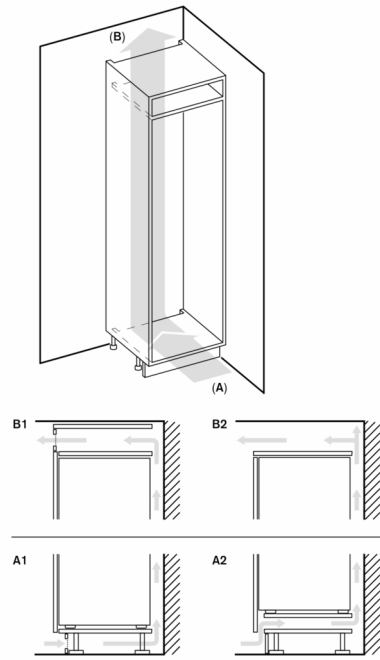
Noise level 35 dB (re 1 pW).

#### Performance

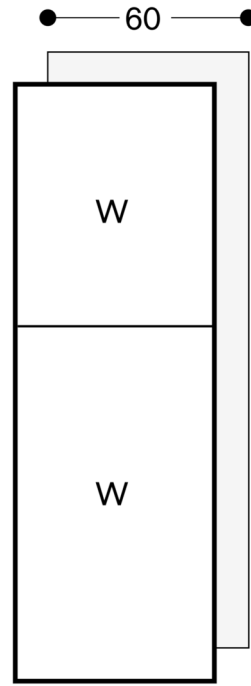
Flat hinge.  
Door hinge right, reversible.  
Height-adjustable feet by a total of 120mm  
Door opening angle of 115°, fixable at 90°.  
Max. door panel weight 20 kg.  
Door panel thickness min. 16 mm/ max.22mm.  
The mains socket needs to be planned outside the built-in niche.  
For a side-by-side installation every appliance must be planned in its own niche.  
No transport/operation above 1.500 m sea level.

#### Connection

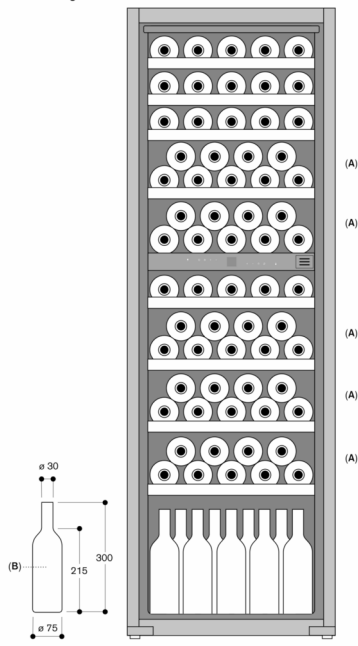
Connecting cable 2.8 m with plug.



A: Air inlet  $\geq 200 \text{ cm}^2$ ; ventilation options A1 or A2  
 B: Air outlet  $\geq 200 \text{ cm}^2$ ; ventilation options B1 or B2



Bottle storage



A: Suitable area for storage of magnum bottles in standard tray configuration  
 B: 0.75 litres  
 Measurements in mm

