



RW414305

1 x connection set

RA430000:  
Screw hole cover set

RA491161:  
Extendable bottle tray, oak wood, RW 414

RA492160:  
Tray, oak wood, for RW414

RA493060:  
DECOR FRAME RA 493-060

RA498140:  
Bottle support, oak wood, for RW414

RA420010:  
Door lock for RW 414 and RW 464/466

RA421110:  
SS door 45,7cm / 18"

RA423140:  
Side trims, long

RA425110:  
Vario SS handle 1131 mm

RA428110:  
SS door w/o handle 45,7cm / 18"

RA460013:  
Heating side kit 230V

RA460020:  
Frontpanel connection long

RA464111:  
Vent grille 45.7cm / 18" w/o filter

400 series  
212.5 x 45.1 cm  
RW414305

2 independently controllable climate zones  
Consistent temperatures with exact control from +5 °C to +20 °C  
Humidity control  
Stainless steel interior  
Fully extendable bottle trays in oak wood and solid aluminium in anthracite  
Bottle trays with hidden telescopic rails  
Warm white and glare-free LED light spots  
5 preset lighting scenarios, selectable via TFT display  
Opening assist for door with two options:  
1. Push-to-open function for integration into handleless furniture front 2. Pull-to-open function to facilitate opening the door using a handle  
Low-vibration operation  
TFT touch display  
Capacity 70 bottles

**Capacity**  
TFT touch display operation.  
Clear text display.

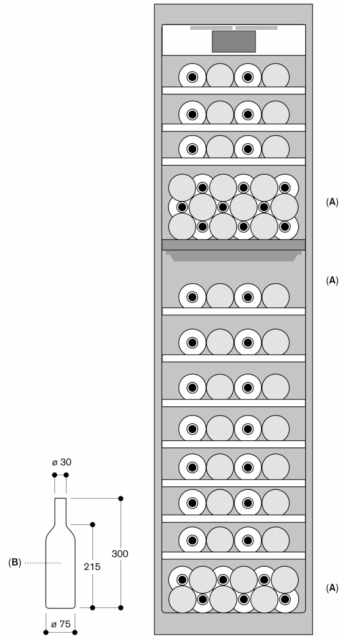
**Technical Information**  
Dynamic cold air distribution.  
Automatic defrosting with defrost water evaporation.  
Cushioned door closing system.  
Activated charcoal air filter.  
UV-protection.  
Open-door and malfunction alarm.  
Home network integration for digital services (Home Connect) wireless via WiFi.  
The use of the Home Connect functionality depends on the Home Connect services, which are not available in every country. For further information please check: [home-connect.com](http://home-connect.com).

**Features**  
Capacity 70 bottles (based on 0.75 l standard bottles).  
12 bottle trays,  
-10 fully extendable trays - 3 suitable for storage of Magnum bottles.  
Flexible interior configuration possible by adding or removing fully extendable bottle trays.  
Storage of up to 6 Magnum bottles with standard tray configuration (12 bottle trays).  
Space for max. 13 bottle trays.  
5 different lighting scenarios can be selected for individual wine presentation.

**Performance**  
Flat hinge.  
Door hinge right, reversible.  
Door opening angle of 115°, fixable at 90°.  
Max. door panel weight 76 kg.  
The mains socket needs to be planned outside the built-in niche.

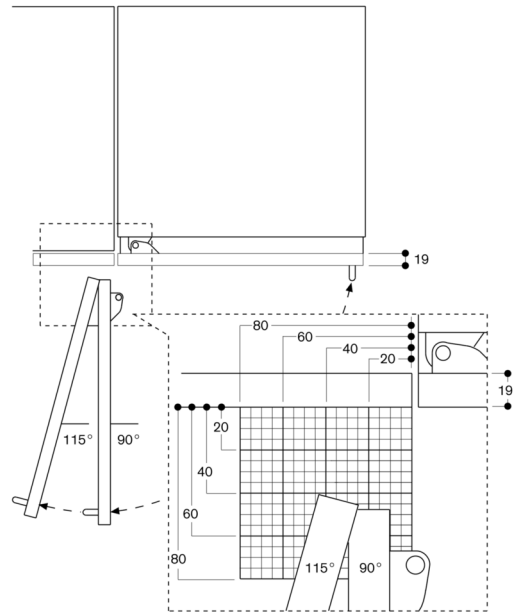
**Connection**  
Total connected load 0.300 KW.  
Connecting cable 3.0 m, detachable.

Bottle storage

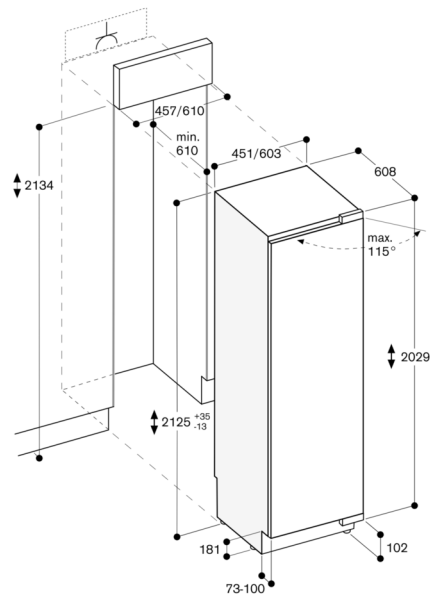
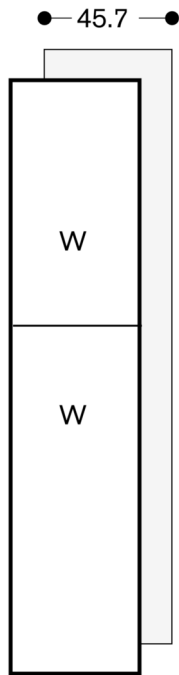


A: Suitable area for storage of magnum bottles in standard tray configuration  
 B: 0.75 litres  
 Measurements in mm

Door opening angle

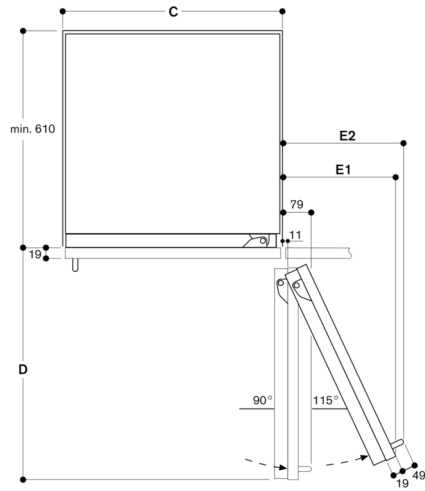


The hinge travel and resulting clearances from adjacent furniture units and handles can be found from the drawing while allowing for the thickness of the front panel. In the drawing, a furniture unit front panel thickness of 19 mm was assumed.



The maximum door panel dimensions are based on a clearance of 3 mm.

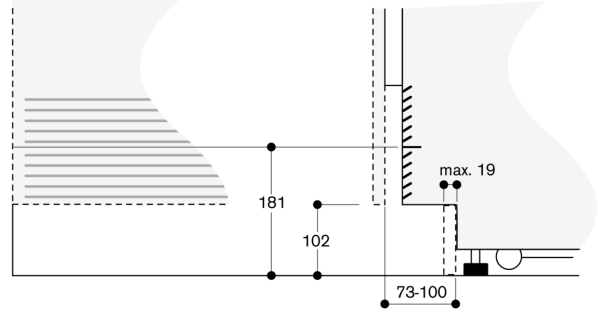
Wall clearance RB 472/RC/RF/RW



Recess width			
C	D	E1	E2
457 mm	525 mm	235 mm	265 mm
610 mm	677 mm	299 mm	330 mm
762 mm	830 mm	364 mm	395 mm
914 mm	980 mm	428 mm	460 mm

In the drawing, a unit front thickness of 19 mm and a Gaggenau unit handle of 49 mm were taken as a basis.

Base detail



Based on the standard appliance height, the height of the plinth is 102 mm. Maximum plinth thickness 19 mm.