



Color Variants

RY492504

With fresh cooling close to 0 °C

Fully integrated

Included accessories

1 x egg box with lid.

1 x ice cube scoop.

Required installation accessories

RA460013

Additional side heating element 230

V. Required if appliances are installed handle to hinge or hinge to hinge. Not required if appliances are installed more than 160 mm apart from each other.

RY492504

Vario fridge-freezer combination 400 series

With fresh cooling close to 0 °C

Fully integrated

Niche width 91.4 cm, Niche height 213.4 cm

Cooling section with two doors and one fully extendable freezing drawer

Stainless steel interior with solid anthracite aluminium elements
Warm white and glare-free LED light spots

Opening assist for door with two options:

1. Push-to-open function for integration into handleless furniture front

2. Pull-to-open function to facilitate opening the door using a handle
Flat stainless steel inner doors
Almost invisible rail system for shelves and door racks for flexible positioning

Solid anthracite aluminium door racks

1 fresh cooling drawer close to 0 °C with manually adjustable temperature and one fresh cooling drawer with manually adjustable humidity

Integrated ice maker with fixed inlet water connection

1 asymmetrically split glass shelf, height adjustable

Fully extendable freezer drawer with practical divider in anthracite

TFT touch display

Net volume 518 litres

Handling

TFT touch display operation.

Clear text display.

Technical Features

Dynamic cold air distribution.

Automatic defrosting with defrost water evaporation.

Activated charcoal air filter.

Rest mode certified by Star-K.

When rest mode is active, the appliance can only be opened using a handle.

Open-door and malfunction alarm.

Cooling

No-Frost technology with fast cooling. Temperature adjustable from +2 °C to +8 °C.

3 safety glass shelves, white glass, 2 of which are individually adjustable in height.

1 asymmetrically split safety glass shelf, with manual height adjustment.

4 brilliant LED light spots with warm white, glare-free light within cooling area and drawers.

Flat door rail system with fully flexible positioning of door racks.

6 height-adjustable door racks, 2 of which are extra deep.

Net volume 344 litres.

Fresh cooling close to 0 °C

1 fully extendable fresh cooling drawer close to 0 °C with transparent front, illuminated.

Temperature can be adjusted manually. Ideal for meat, fish and poultry.

Net volume 34 litres.

Fresh cooling

1 fully extendable fresh cooling drawer with transparent front, illuminated.

Humidity can be adjusted manually. Ideal for fruit and vegetables.

Freezing

No-frost technology with fast freezing at -30 °C.

Temperature adjustable from -16 °C to -24 °C.

4-star freezer compartment.

Freezing capacity 16 kg/24 h.

Storage time after a malfunction 17 h.

Characteristics

Built-in / Free-standing

Built-in

Number of compressors

2

Number of independent cooling systems

2

Width of the product (mm)

908

Height (mm)

2125

Depth of the product

608

Net weight (kg)

220.096

Required niche size for installation (HxWxD)

2134.0 x 914.0 x 610

Door panel options

Not possible

Door hinge

left and right

Number of Adjustable Shelves in fridge compartment

2

Shelves for Bottles

No

Frost free system

Fridge and freezer

Interior ventilator

Yes

Reversible Door Hinge

No

Length electrical supply cord (cm)

300

Noise level (dB)

41

Multi-Flow Air Tower

Yes

Fast cooling switch

Yes

Fast freezing switch

Yes

Carbon Air Filter

No

Temperature Controlled Drawer

No

Humidity Control Drawer

Yes

Number of Door Bins - Refrigerator

6

Door bin adjustability - Refrigerator

No

Tilt-out door bins in fridge

Number of Gallon storage

2

No. of shelves in fridge

3

Number of shelves - Freezer

Shelf Adjustability - Freezer

No

Capacity of Water Tank [l]

Consumption and connection features

Connection Rating (W)

300

Current (A)

10

Voltage (V)

220-240

Frequency (Hz)

50-60

Energy consumption (kWh)

Freezing capacity (kg)

Storage Period in Event of Power Failure (h)

17

Approval certificates

CE, VDE

Universal Product Code

Color / Material body

Door panel options

Not possible

Noise level (dB)

41

Total annual energy consumption (kWh)

Energy Star Qualified

Yes

Length of electrical supply cord (in)

Required cutout/niche size for

2 fully extendable drawers.

Interior lighting with 2 LED light spots, warm white light.

Net volume 140 litres.

Ice maker

Integrated in the freezer compartment, with fixed inlet water connection.

Particle filter for water inlet, integrated in ventilation grille area.

Can be switched off.

Ice cube production approx. 1.6 kg/24 h.

Removable ice storage container with approx. 3 kg capacity.

Consumption data

3,5 Star (AU).

Energy consumption 436 kwh/year.

Noise level 41 dB (re 1 pW).

Planning notes

Flat hinge.

Door opening angle of 115°, fixable at 90°.

Max. door panel weight:

Each door 67 kg.

Drawer 10 kg.

Shut-off valve for water connection must be planned next to the appliance and always be accessible.

If the water pressure exceeds 0.8 MPa (8 bar), connect pressure relief valve between water tap and hose set.

Connection

Total connected load 0.266 kW.

Connecting cable 3.0 m, detachable.

Water inlet.

Supply hose 2.9 m with 3/4" connection.

Water pressure 2 to 8 bar.

GAGGENAU

RY492504

Vario fridge-freezer combination 400 series

With fresh cooling close to 0 °C

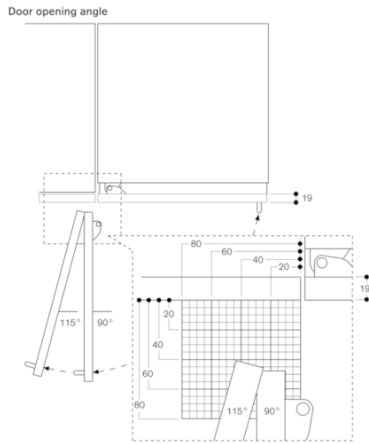
Fully integrated

Niche width 91.4 cm, Niche height 213.4 cm

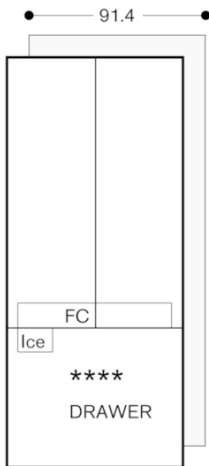
Cooling section with two doors and one fully extendable freezing drawer

2019-08-28

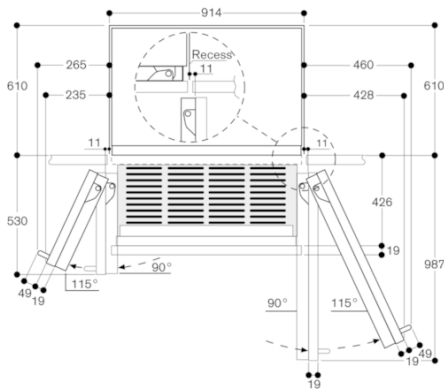
Page 2



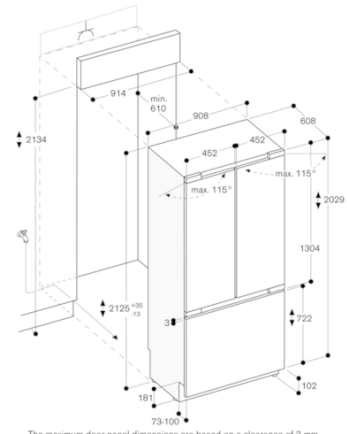
The hinge travel and resulting clearances from adjacent furniture units and handles can be found from the drawing while allowing for the thickness of the front panel. In the drawing, a furniture unit front panel thickness of 19 mm was assumed.



Wall clearance RB 492/RV 492

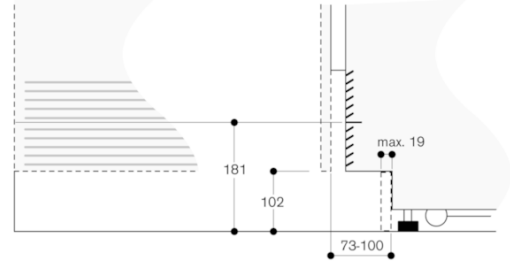


In the drawing, a unit front thickness of 19 mm and a Gaggenau unit handle of 49 mm were taken as a basis.

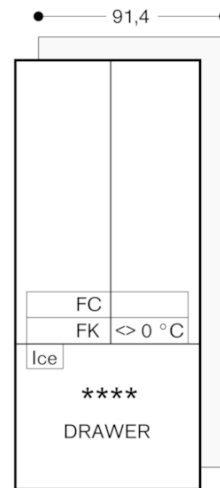


The maximum door panel dimensions are based on a clearance of 3 mm.

Base detail



Based on the standard appliance height, the height of the plinth is 102 mm. Maximum plinth thickness 19 mm.



GAGGENAU