



VG231214AU

VD201014:
Stainless steel cover series 200

WP400001:
Wok pan

VV200014:
Connecting strip series 200 ss

Vario hob, gas 200 series 30 cm

VG231214AU

Can be combined with the cooktops of the Vario 200 series to a harmonic unity

Generous control panel for comfortable and secure operation

Multi-ring burner of solid, heat-resistant brass as used in professional kitchen

Total output up to 5 KW

Cooking zones

1 three-ring wok burner (250 W – 5000 W), suitable for pots up to max. \varnothing 32 cm.

Handling

One-handed operation.

Electric ignition.

Features

Cast iron pan support.

Brass burner rings.

Safety

Thermoelectric safety pilot.

Planning notes

Maximum drawer depth 42 cm.

Appliance can be snapped into the worktop from above.

A minimum clearance of at least 150 mm from adjacent heat-sensitive furniture or contact surfaces must be observed or thermal insulation fitted.

With a total connected load of more than 11 kW local regulations concerning room ventilation, room size and combination of extraction or recirculation hoods must be observed. Minimum clearance between gas cooktop(s) with more than 11 kW and ventilation hood 70 cm.

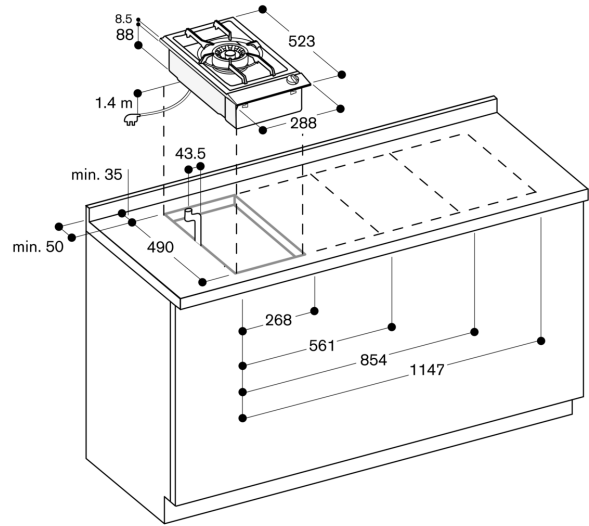
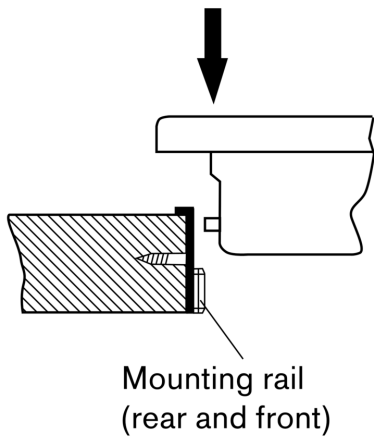
Appliance weight: approx. 9.

Connection

Total connected load gas 5.0 KW.

Total connected load electric 1.0 W.

Connecting cable 1.4 m with plug.



Gas connection

