



VG232214AU

VD201014:  
Stainless steel cover series 200

VV200014:  
Connecting strip series 200 ss

Vario gas cooktop 200 Series  
30 cm

VG232214AU

- Can be combined with the cooktops of the Vario 200 series to a harmonic unity
  - Generous control panel for comfortable and secure operation
  - Solid smooth-surface cast pan supports for easy and safe positioning of cookware
  - 1 high output burner (560 – 2800 W), suitable for pots up to max. ø 22 cm.
  - 1 standard output burner (380 – 1900 W), suitable for pots up to max. ø 22 cm.
  - Can be combined with the cooktops of the Vario 200 series to a harmonic unity
- Generous control panel for comfortable and secure operation
- Solid smooth-surface cast pan supports for easy and safe positioning of cookware

#### Cooking zones

1 high output burner (560 – 2800 W), suitable for pots up to max. ø 22 cm.

1 standard output burner (380 – 1900 W), suitable for pots up to max. ø 22 cm.

#### Capacity

One-handed operation.  
Electric ignition.

#### Features

Cast iron pan support with flat, continuous pot surface.  
Enamelled burner cover.

#### Safety

Thermoelectric safety pilot.

#### Performance

Maximum drawer depth 42 cm.

Appliance can be snapped into the worktop from above.

A minimum clearance of at least 150 mm from adjacent heat-sensitive furniture or contact surfaces must be observed or thermal insulation fitted.

With a total connected load of more than 11 kW local regulations concerning room ventilation, room size and combination of extraction or recirculation hoods must be observed. Minimum clearance between gas cooktop(s) with more than 11 kW and ventilation hood 70 cm.

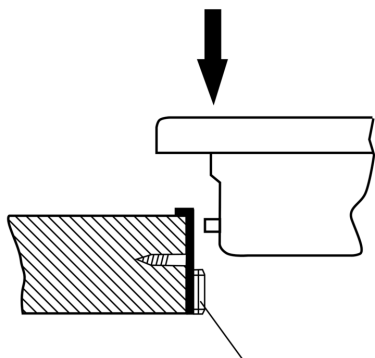
Appliance weight: approx. 8. kg

#### Connection

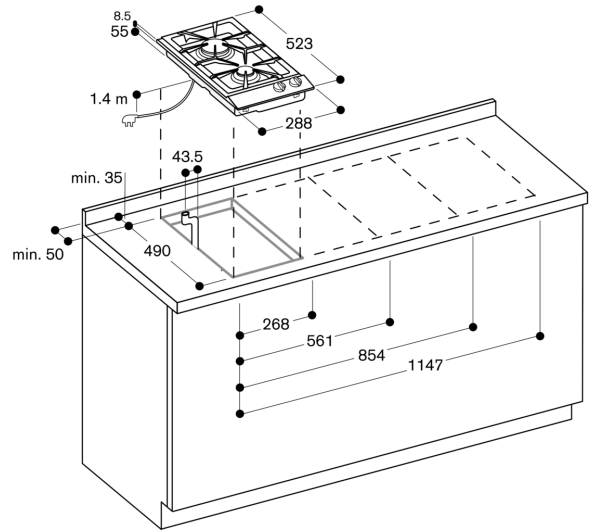
Total connected load gas 4.7 KW.

Total connected load electric 1.0 W.

Connecting cable 1.4 m with plug.



Mounting rail  
(rear and front)



### Gas connection

