



Color Variants

VI232120
Black control panel
Width 28 cm

Included accessories

1 x glass scraper.

Optional accessories

VD200020
Black appliance cover

Installation Accessories

VV200010
Stainless steel connection strip
for combination with further Vario
cooktops
VV200020
Black connection strip for combination
with other Vario appliances of the 200
series

VI232120

Vario flex induction cooktop 200 series

Black control panel

Width 28 cm

Can be combined with the cooktops of the Vario 200 series to a harmonic unity Control panel for comfortable and secure operation

Cooking zones

2 flex induction cooking areas 19x21 cm (2200 W, with booster 3700 W), linked together 38x21 cm (3300 W, with booster 3700 W).

Handling

Control knobs with illuminated ring. Integrated control panel. Electronic power control in 9 stage power setting for each cooking zone.

Features

Cooking area marking. Flex function for rectangular cooking areas. Frying sensor function. Pot detection. Booster function for both cooking areas.

Safety

Residual heat indication. Operation indicator. Safety shut-off.

Planning notes

Operates with magnetic (induction) iron pots and pans only. For an optimal heat distribution, the use of sandwich bottom cookware is recommended. Appliance can be snapped into the worktop from above. Appliance weight: approx. 9. kg

Connection

Total connected load 3.7 KW. Connecting cable 1.5 m without plug.

Characteristics

Product name/family

Vario/Domino cooking zone cera

Built-in / Free-standing

Built-in

Energy input

Electric

Total number of positions that can be used at the same time

2

Required niche size for installation

(HxWxD)

50 x 268 x 492

Width of the appliance

288

Dimensions

50 x 288 x 512

Dimensions of the packed product

(HxWxD) (mm)

200 x 400 x 600

Net weight (kg)

8.613

Gross weight (kg)

9.7

Residual heat indicator

Location of control panel

Basic surface material

Ceramic

Color of surface

Black, Stainless steel

Color of frame

Stainless steel

Approval certificates

AENOR, CE

Length electrical supply cord (cm)

150

Connection Rating (W)

3700

Gas connection rating (W)

Current (A)

Voltage (V)

220-240

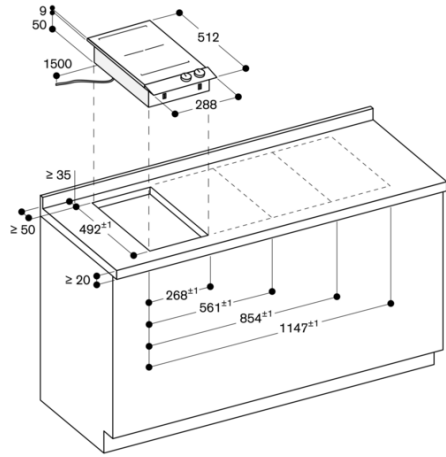
Frequency (Hz)

60; 50

Consumption and connection features

2021-05-18

Page 1



measurements in mm