



WSP221132

Warming drawer 200 Series
60 x 14 cm, Gaggenau Silver
WSP221132

Flush installation
Handleless drawer
Push-to-open system
Hygienic stainless steel interior with glass bottom
Direct temperature selection in the range 30 °C to 80 °C (glass surface)
For slow cooking, dough proofing, herbs and fruits drying, chocolate melting and defrosting

Heating methods

Slow cooking.
Keeping meals warm.
Warming ovenware.
Cups and plates warming.
Personalisation function via Home Connect.
16 additional programs via Home Connect.

Capacity

Direct temperature control.
Touch key operation.

Features

Net volume 20 litres.
Volume capacity: Dinner service for 6 people including ø 27 cm plates and soup bowls, additional bowls and a serving dish depending on size.
Capacity load max. 25 kg.
Usable interior dimensions
W547 mm x H 91 mm x D 410 mm.
Heating under glass bottom for easy cleaning.
Heating system for even heat distribution and stable cavity temperature.
Status display, visible in the glass front.
Glass bottom made of safety glass.
Heating timer via Home Connect.
Specific recipes via Home Connect.
Home network integration for digital services (Home Connect) wireless via WiFi.
The use of the Home Connect functionality depends on the Home Connect services, which are not available in every country. For further information please check: home-connect.com.

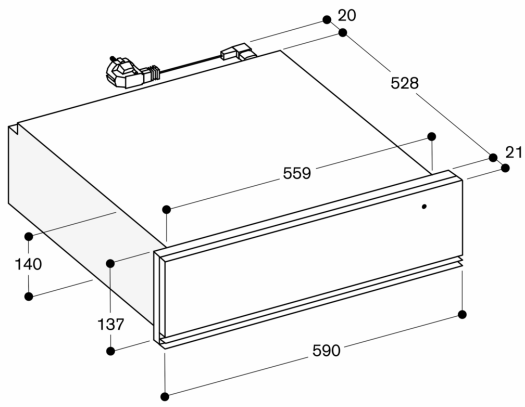
Performance

Necessary lateral gap between appliance front and furniture panel of min. 5 mm.
The door panel surface of the appliance extends 21 mm from the furniture cavity.
Installation of BSP/BMP/CMP directly above WSP in 59 cm niche without intermediate floor.
The socket can be planned behind the appliance.

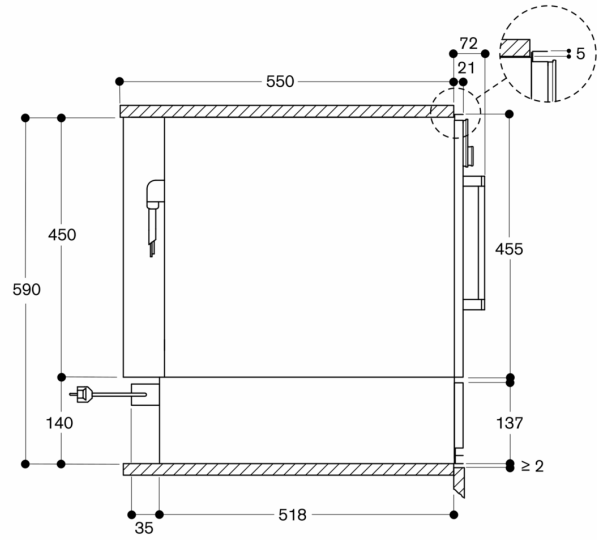
Connection

Total connected load 0.81 KW.
Connection cable 1.8 m, detachable.

WSP 221 below BSP, BMP, CMP



Measurements in mm



Measurements in mm