

AA210460

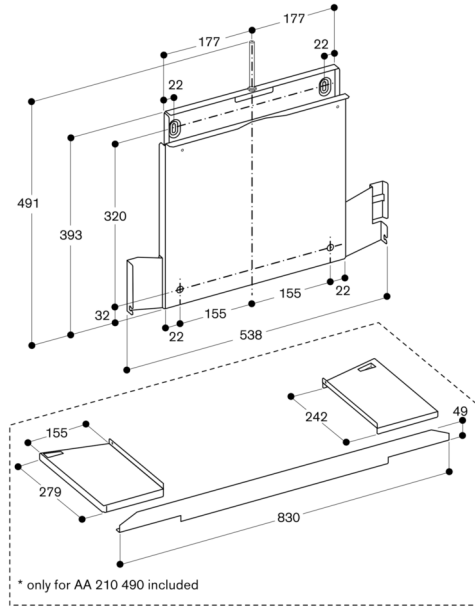
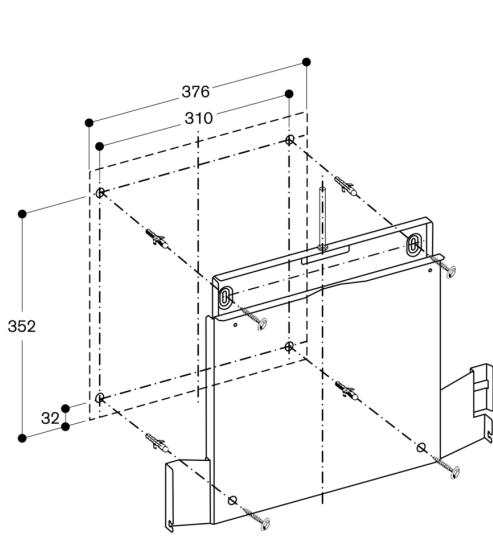
#### Lowering frame

##### AA210460

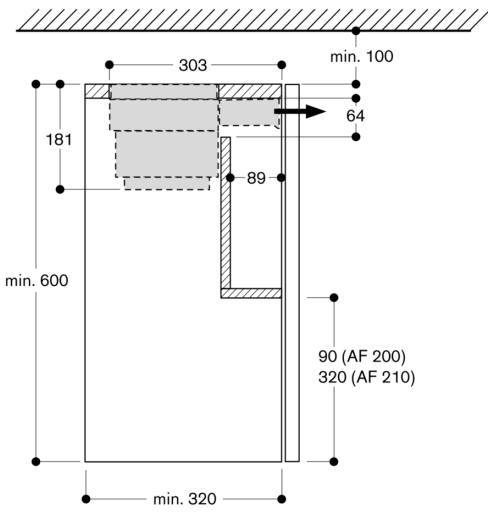
- To be installed with AF 210 visor hood.
- The patented lowering frame allows the visor hood to completely disappear behind the upper cabinet.
- For assembly directly on the kitchen wall or reinforced upper cabinet.
- To be installed with AF 210 visor hood.

The patented lowering frame allows the visor hood to completely disappear behind the upper cabinet.

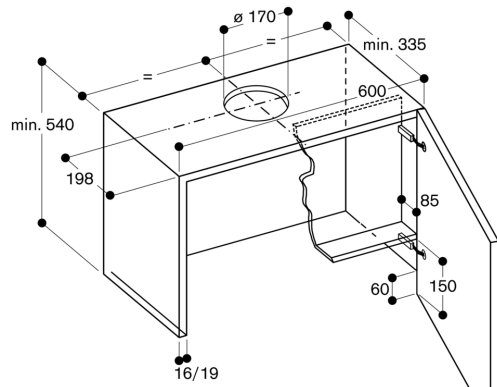
For assembly directly on the kitchen wall or reinforced upper cabinet.



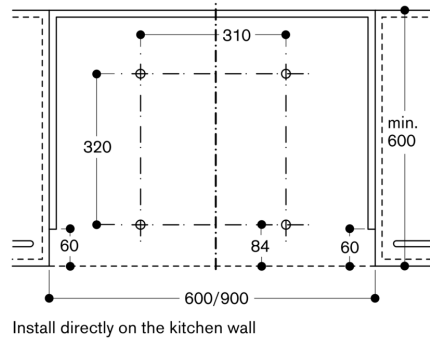
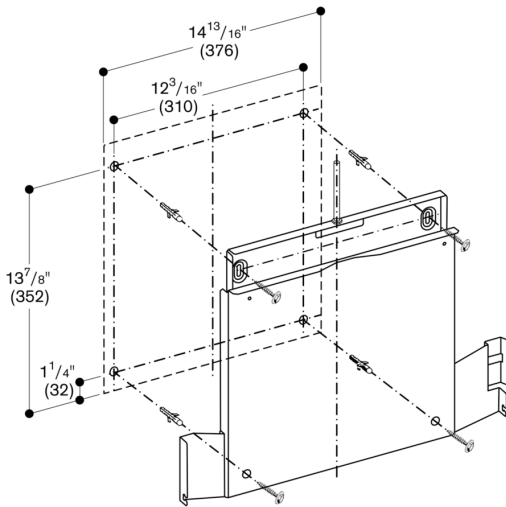
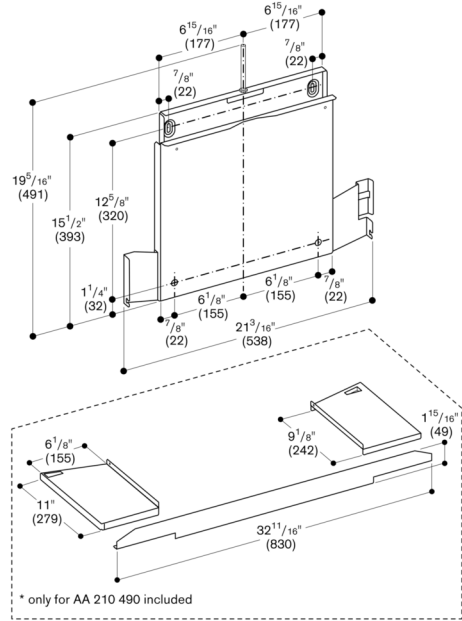
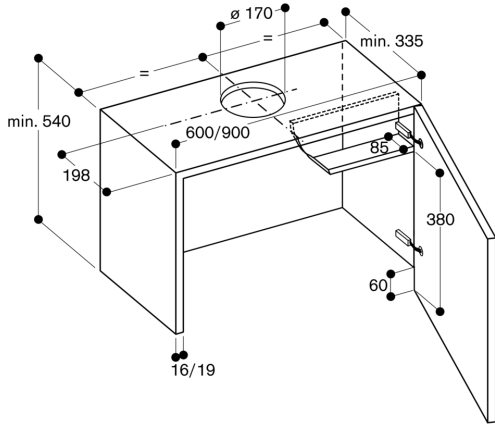
Cross-section top cabinet with AA 211 812

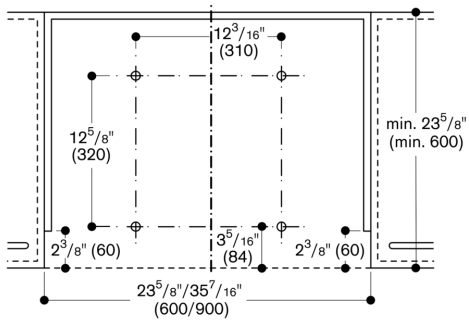


Top cabinet for AF 200 160 with lowering frame AA 210 460



**Top cabinet for AF 210  
with lowering frame AA 210 460/AA 210 490**





Install directly on the kitchen wall