

AA210492

#### Lowering frame

##### AA210492

- To be installed with AF 210 visor hood.
- The patented lowering frame allows the visor hood to completely disappear behind the upper cabinet.
- For assembly directly on the kitchen wall or reinforced upper cabinet.
- The required cavity depth of the upper cabinet together with the lowering frame measures 13 3/16" (335mm).
- For assembly in the upper cabinet.
- To be installed with AF 210 visor hood.

The patented lowering frame allows the visor hood to completely disappear behind the upper cabinet.

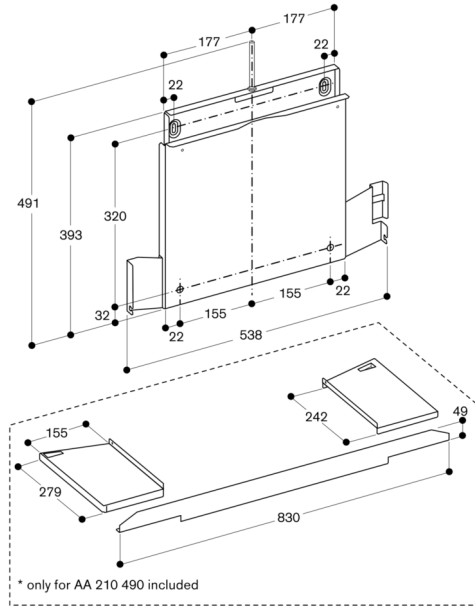
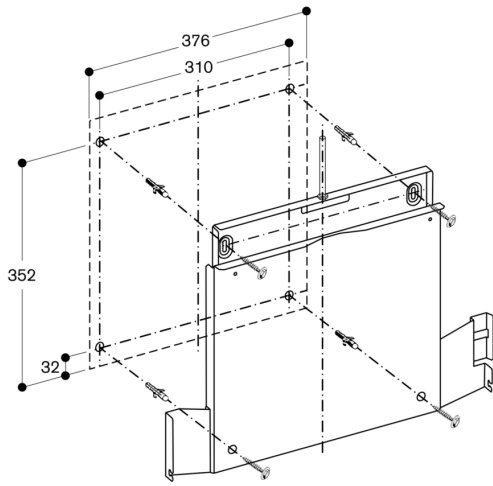
For assembly directly on the kitchen wall or reinforced upper cabinet.

The required cavity depth of the upper cabinet together with the lowering frame measures 13 3/16" (335mm).

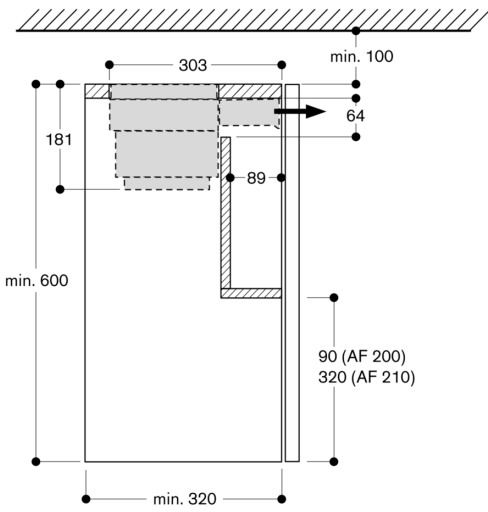
For assembly in the upper cabinet.

In combination with a back wall panel >5 mm the lowering frame needs to be lined and the cavity depths must be adapted accordingly.

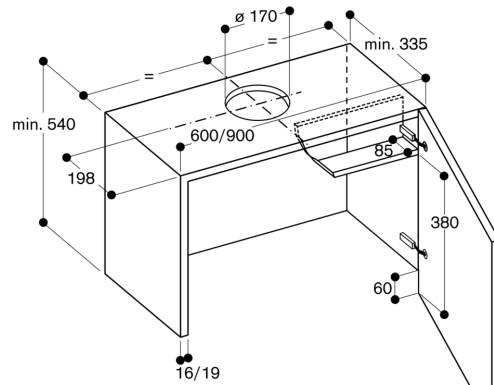
For the installation of the lowering frame a flexible duct (part #00361093) is needed.

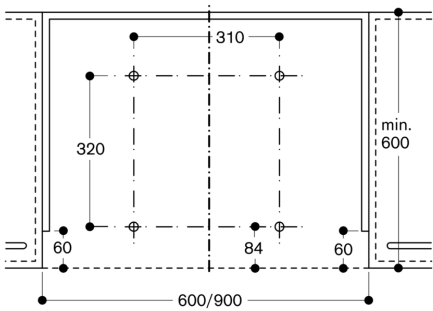
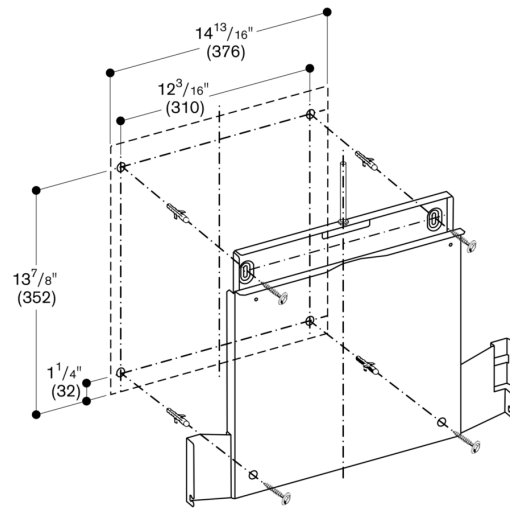
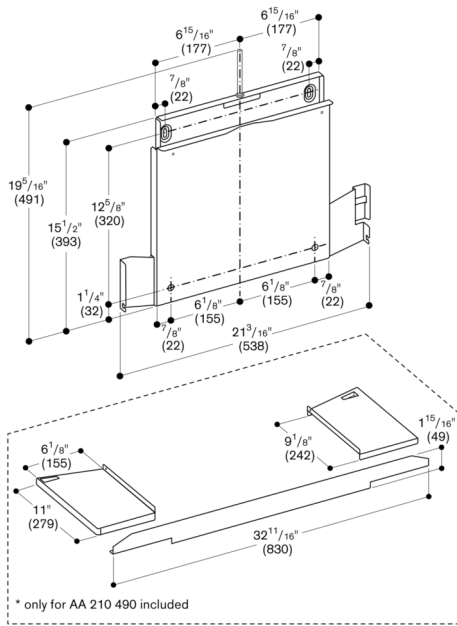


Cross-section top cabinet with AA 211 812

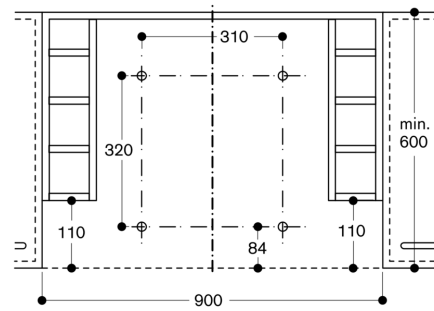


Top cabinet for AF 210 with lowering frame AA 210 460/AA 210 490

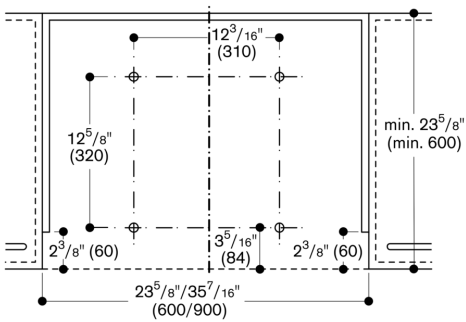




Install directly on the kitchen wall



Furniture with lateral shelves  
Install directly on the kitchen wall



Install directly on the kitchen wall