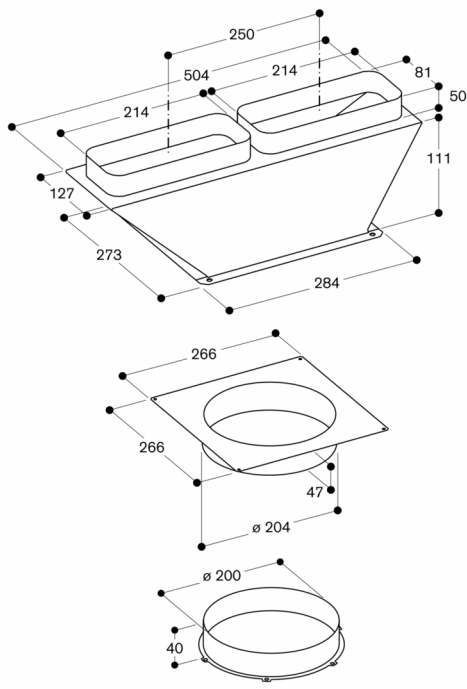


AD704050

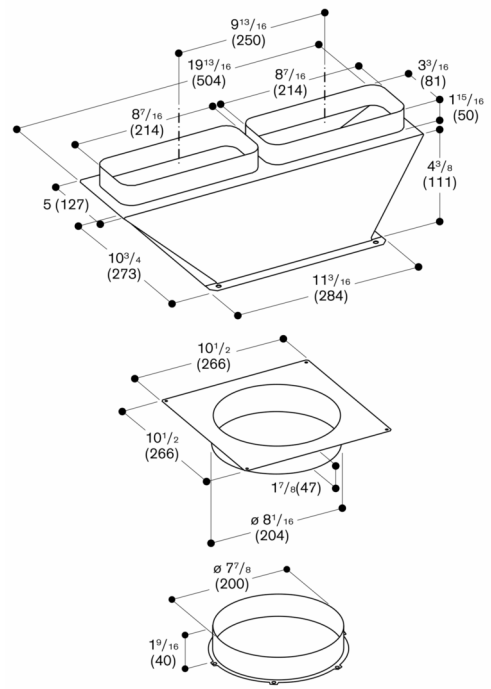
Air duct part

AD704050

Planning notes



Measurements in mm



Measurements in inches (mm)