



AD854000

Flat duct

AD854000

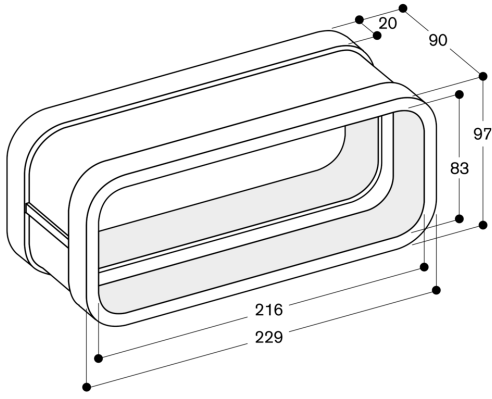
- To connect 2 flat ducts.
- Sealing is pre-assembled on each side.
- If the removal of the seal is necessary, the connection must be fastened and sealed with aluminium adhesive tape.
- To connect 2 flat ducts.

Features

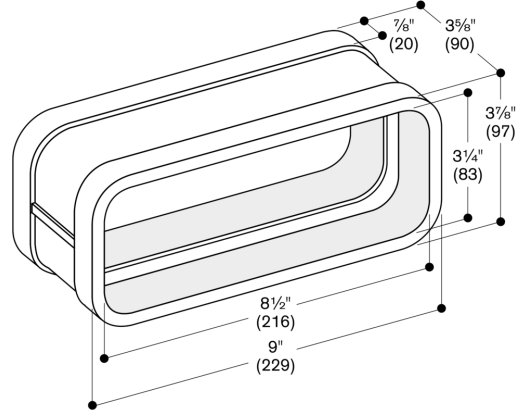
Sealing is pre-assembled on each side.

Planning notes

If the removal of the seal is necessary, the connection must be fastened and sealed with aluminium adhesive tape.



Measurements in mm



Measurements in inches (mm)