

---

AD854031

---

---

**Air duct part**

**AD854031**

---

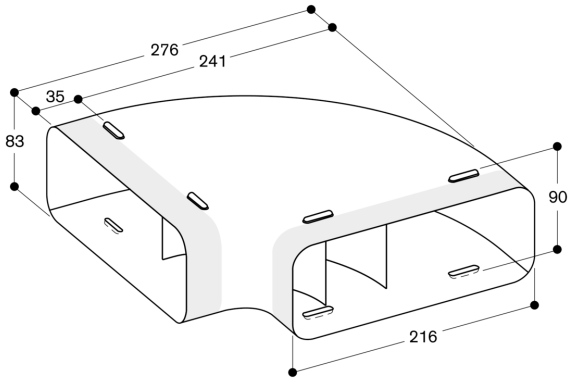
- Maximum efficiency due to air guided fins in the duct bend.
- Suitable for flat duct and flat duct flex.

**Features**

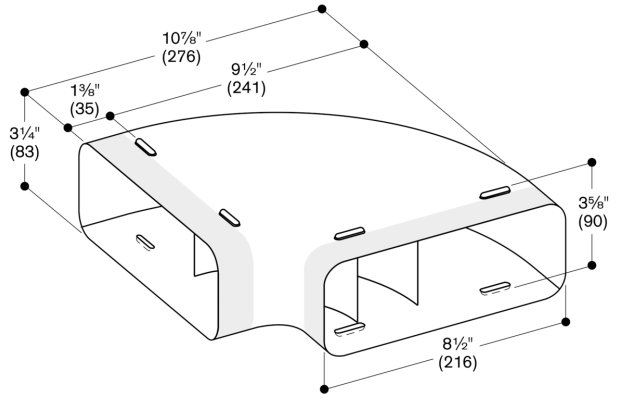
Maximum efficiency due to air guided fins in the duct bend.

**Planning notes**

Suitable for flat duct and flat duct flex.



Measurements in mm



Measurements in inches (mm)