



---

AD854032

---

---

**Adapter duct**  
**round-flat**  
**AD854032**

---

- Transition from flat duct to round duct.
- Maximum efficiency due to air guided fins in the duct bend.
- Round duct connecting piece with a seal.
- Suitable for flat duct and flat duct flex.
- Suitable for round duct and aluminum flex pipe.
- Transition from flat duct to round duct.

**Features**

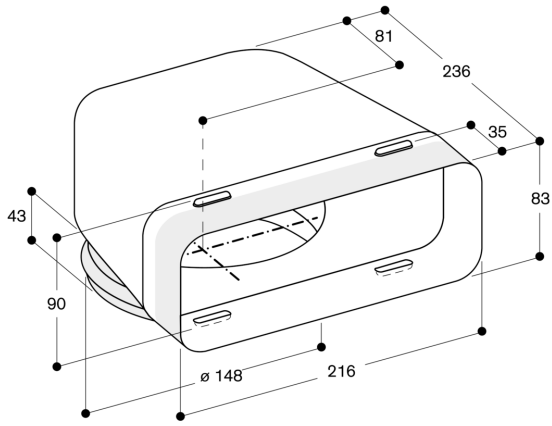
Maximum efficiency due to air guided fins in the duct bend.

Round duct connecting piece with a seal.

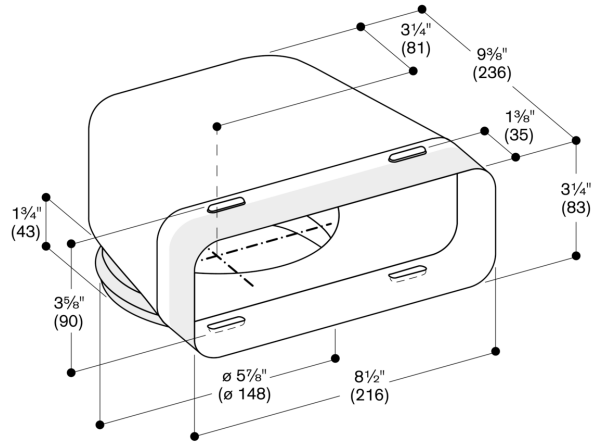
**Planning notes**

Suitable for flat duct and flat duct flex.

Suitable for round duct and aluminum flex pipe.



Measurements in mm



Measurements in inches (mm)