

Flat duct

AD854040

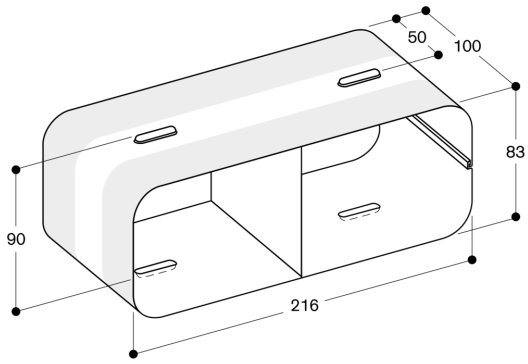
- To connect 2 flat ducts.
- Central reinforcement.
- Suitable for flat duct and flat duct flex.
- To connect 2 flat ducts.

Features

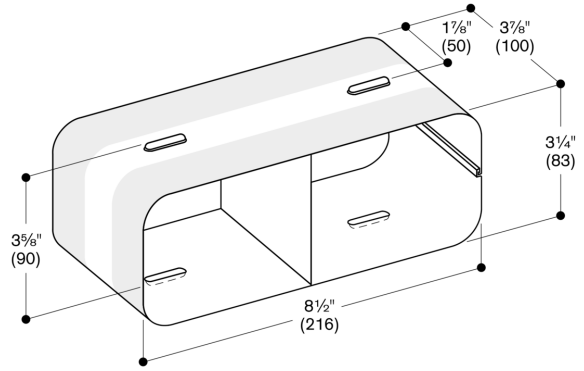
Central reinforcement.

Planning notes

Suitable for flat duct and flat duct flex.



Measurements in mm



Measurements in inches (mm)