



CE490612
Electric cooktop
Stainless steel frame
Width 36" (90 cm)

Sturdy stainless steel frame
Twist-Pad control with removable magnetic knob

Cooking zones

1 Super-Quick cooking zone \varnothing 7" (1500 W), converts to \varnothing 9" (2400 W) cooking zone.
1 Super-Quick cooking zone \varnothing 4 3/4" (800 W), converts to \varnothing 7" (2000 W) cooking zone.
2 Super-Quick cooking zones \varnothing 5 1/16" (1200 W).

Operation

Twist-Pad control with removable magnetic knob.
Cooking zone marking.
Electronic power control in 17 output levels.

Features

Quick boil timer, with individually adjustable boiling time.
Cooking timer for up to 90 minutes.
Short-term timer.
Memory function.
Options menu.

Safety

Main switch.
Operation indicator.
Individual residual heat indicators.
Child lock.
Safety shut-off.

Planning notes

Appliance depth 1 3/4", depth at plug socket 2 3/8".
Under the plug socket, a 10 mm clearance must be observed from side panels or from intermediate shelf.
The cooktop must be freely accessible from underneath to be able to detach the cooktop's base in a downward direction.
Installation possible in a 60 cm wide lower cabinet.
Appliance must be fixed from underneath. Hardwire required.
Cooktop clamping range: 13/16" - 1 15/16".

Rating

Total rating: 6.0 kW. Total Amps: 24 A.
220-240 V / 60 Hz
Plan for 56" connecting cable without plug (hardwire required)

Product Features

Knob Material
Full metal

Sealed Burners
No

Burners with booster

Type of grate

Total BTU load

LP Gas Connection Rating (BTU)

Power of heating element (kW in boost)

Dimension of 1st heating element (in)
7 1/16 " ; 9 1/16 "

Power of 2nd heating element (kW in boost)

Dimension of 2nd heating element (in)
5 11/16 "

Power of 3rd heating element (kW in boost)

Dimension of 3rd heating element (in)
7 1/16 " ; 4 3/4 "

Power of 4th heating element (kW in boost)

Dimension of 4th heating element (in)
5 11/16 "

Power of 5th heating element (kW in boost)

Dimension of 5th heating element (in)

Power of 6th heating element (kW in boost)

Dimension of 6th heating element (in)

Consumption and connection features

UPC code
825225864721

Variant color
Black

Energy source
Electric

Gas type

Alternative gas type

Watts (W)
6800

Current (A)

Volts (V)
240/208

Frequency (Hz)
60

Approval certificates
CE, CSA

Power Cord Length

Plug type
no plug

Required cutout size (HxWxD) (in)
3 15/16 " x 34 7/8 " x 13 1/4 "

Minimum distance from counter front (in)
1 15/16 "

Minimum distance from rear wall (in)
1 15/16 "

Overall appliance dimensions (HxWxD) (in)
1/8 "+3 15/16 " x 35 3/4 " x 14 3/16 "

Product packaging dimensions (HxWxD) (in)
8.26 x 18.89 x 44.48

Net weight (lbs)
24

Gross weight (lbs)
32

Total number of cooktop burners
4

2019-10-23
Page 1

Color Variants

CE490612
Stainless steel frame
Width 36" (90 cm)

CE490612

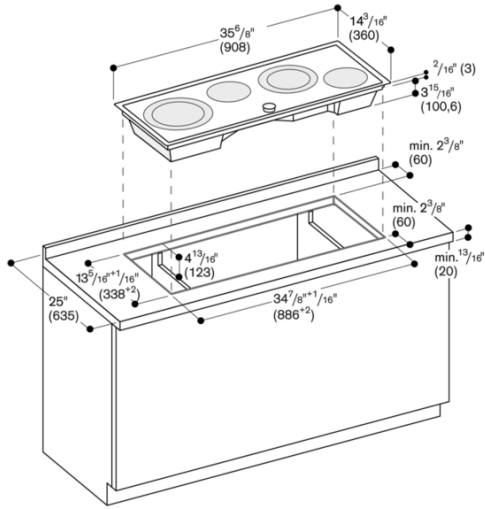
Electric cooktop

Stainless steel frame

Width 36" (90 cm)

2019-10-23

Page 2



Immersion depth in the area of the electric connection casing 4 13/16" (123)