



CG280211CA

#### Gas cooktop 200 series

30", Natural gas 15 mbar

CG280211CA

- Mechanical power level regulation for 9 power levels, with exact setting and reproduction of flame size
- Control panel for comfortable and secure operation

Mechanical power level regulation for 9 power levels, with exact setting and reproduction of flame size

Solid smooth-surface cast-iron pan support  
Up to 42700 BTU (12.5 kW) on 5 burners

#### Cooking zones

- 1 multi-ring wok burner (17000 BTU).
- 1 high output burner (10300 BTU).
- 2 standard burners (6000 BTU).
- 1 economy burner (3400 BTU).

#### Operation

Control knobs with illuminated ring.  
Integrated control panel.  
One-handed operation.  
Electric ignition.

#### Features

Three-part cast iron pan support with flat, continuous pot surface.

#### Safety

Thermoelectric safety pilot.  
Residual heat indicator.  
Operation indicator.

#### Planning notes

Appliance can be snapped into the countertop from above.

The rear panel must consist of a non-flammable material. Wall trims must be resistant to heat. Above countertop minimum clearance of at least 13" from adjacent heat-sensitive furniture or contact surfaces must be observed or thermal insulation must be installed.

Minimum distance between gas cooktop(s) with more than 37,533 BTU (11kW) and ventilation hood must be 30" (76cm).

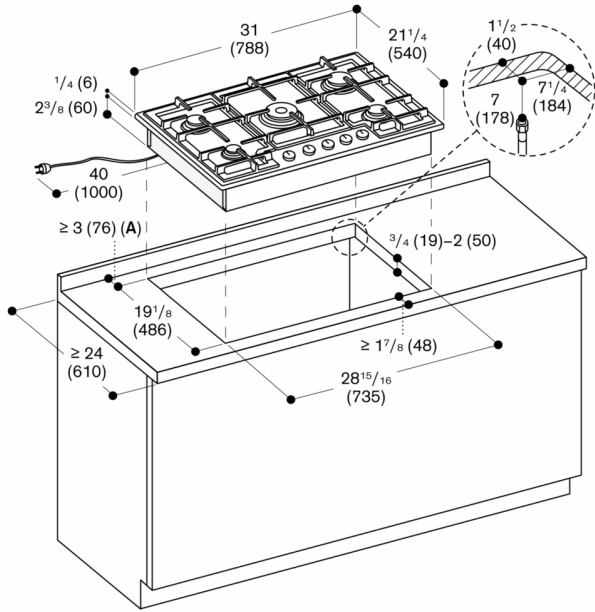
Appliance weight: approx. 17 kg.

#### Rating

Total rating: 42700 BTU (12.5 KW).

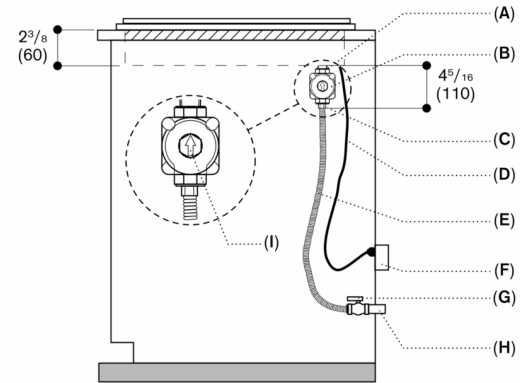
Total Amps: 1 A. 120 V / 60 Hz  
120 V / 60 Hz.

Connecting cable 40" (1.0 m) with plug.



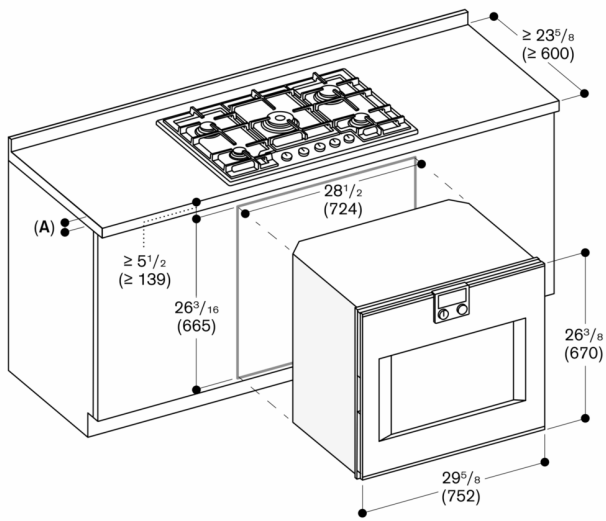
A:  $\geq 3$ " (100 mm) for installation in a kitchen island  
 Measurements in inches (mm)

Side view - gas cooktop installation



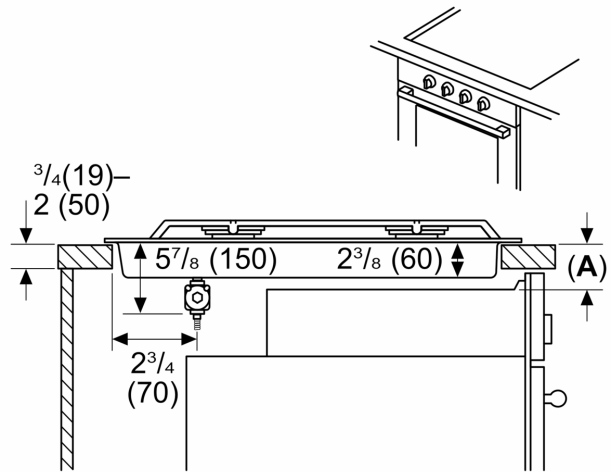
A:  $3/8$ " (9.5 mm) NPT  
 B: Gas regulator  
 C:  $1/2$ " (12.7 mm) NPT  
 D: Power cable 40" (1 m)  
 E: Flexible gas line  
 F: 120 V socket  
 G: Gas cut-off valve  
 H: Gas supply line stub-out  
 I: Arrow on the pressure regulator shows the direction of gas flow  
 Measurements in inches (mm)

Gas hob CG280211CA with BO480613



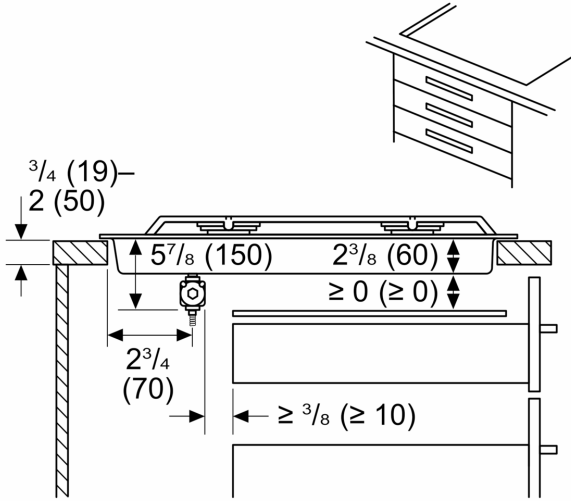
A: Min. countertop thickness  $3/4$ " (20 mm) for surface mounted installation  
 Measurements in inches (mm)

Measurements in inches (mm)  
 Cooktop over oven



A: Refer to approved combination matrix

Measurements in inches (mm)  
**Cooktop over drawer**



Measurements in inches (mm)  
**Cooktop over door**

