



CX492612

CA051300:

Teppan Yaki (large)

CA060600:

Wireless temperature sensor for cooktop

GN232110:

Teppan Yaki GN 1/1

GN232230:

Teppan Yaki GN 2/3

VA420004:

Connecting strip Serie 400, flush, short

Full surface induction cooktop 400 series 36"

CX492612

One large cooking surface
Free positioning of cookware
All sizes and formats of cookware
can be used

TFT touch display for an intuitive control of all
functions

Cooking sensor function for temperature control
in pots

Professional cooking functions

Max. power output for big cookware of up to 5.5
KW

Precision crafted 3mm stainless steel frame

For surface-mount installation with a visible edge
or for flush installation

Can be perfectly combined with other Vario 400
series appliances

Cooking zones

One unique cooking surface allows for
cookware as small as 3" and as large as 13" x
21".

Up to 6 items of cookware can be placed
simultaneously on the cooktop.

Operation

Easy to use color graphic TFT touch display with
an easy-to-use display concept.

Electronic power control in 17 output levels.

Features

Cooking sensor function.

Professional cooking function.

Dynamic cooking function.

Teppan Yaki function.

Booster function for pots.

Booster function for pans.

Keep warm function.

Individual pot detection.

Stopwatch.

Short-term timer.

Information key with use indicators.

Power management.

Cooktop-based ventilation control (with suitable
hood).

Home network integration for digital services
(Home Connect) wireless via WiFi.

The use of the Home Connect functionality
depends on the Home Connect services, which
are not available in every country. For further
information please check: home-connect.com.

Safety

Main switch.

Residual heat indicator.

Child lock.

Safety shut-off.

Pause function.

Planning notes

Depending on the type of installation
(surface-mounted or flush-mounted), the specific
definition of the cut-out must be observed.

If combining several Vario appliances of the 400
series, a connection strip VA 420 must be
placed between the appliances. Depending on
the type of installation, the corresponding
connection strip must be provided.

The bearing capacity and stability,
in the case of thin countertops in particular,
must be supported using suitable substructures.
Take into account the appliance weight and
additional loads.

Additional instructions for flush mounting:

Flush installation is possible in countertops
made of stone, synthetics or solid wood. Heat
resistance and watertight sealing of the edges
must be observed. For other materials, please
consult with your countertop manufacturer.

The groove must be continuous and even, so
that uniform placing of the appliance on the
gasket is ensured. Do not use discontinuous
lining.

The joint width may vary due to size tolerances
of the combinations and of the countertop
cut-out.

If installing several appliances in individual
cut-outs allow for a division bar of inimum 1 3/32"
(50 mm) between the individual cut-outs.

Operates with magnetic (induction)

iron pots and pans only. For an optimal heat
distribution, the use of flat bottom cookware is
recommended.

The wok pan WP 400 001 cannot be used with
this appliance.

Appliance can be snapped into the countertop
from above.

Appliance weight: approx. 34 kg.

Rating

Total rating: Connected load: 6240 W

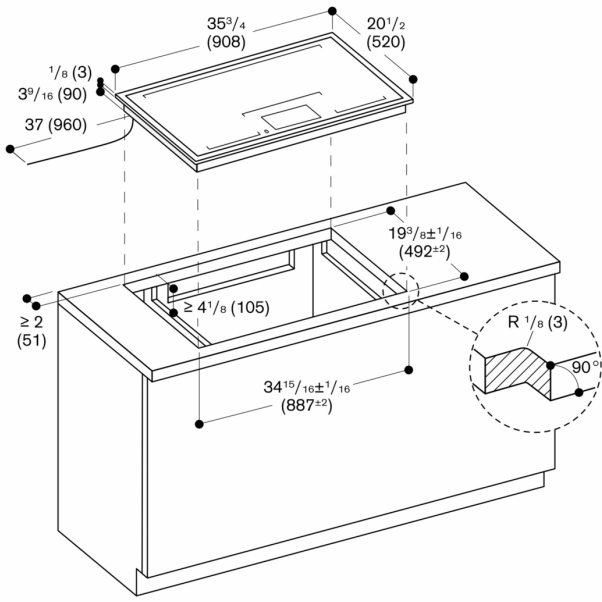
Total Amps: 30 A.

208 - 240 V / 60 Hz.

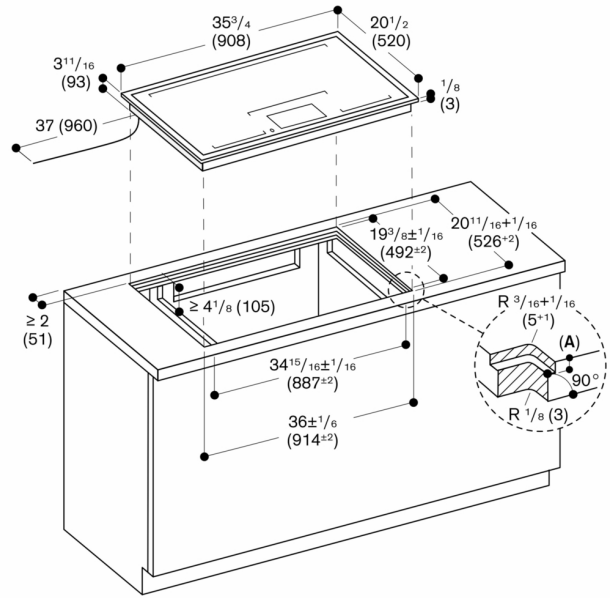
Plan for a 37" connecting cable

without plug (hardwire required).

Please check the user manual for how to switch
off the WiFi module.



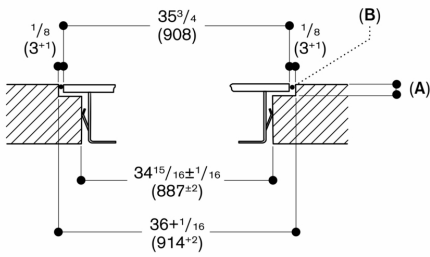
Measurements in inches (mm)



A: 1/8" (3.5^{0.5} mm)

Measurements in inches (mm)

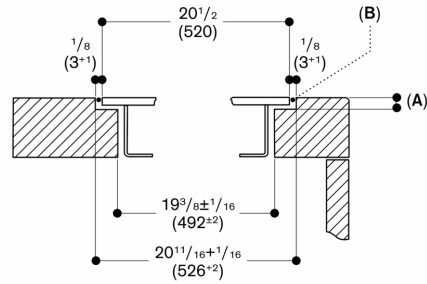
Longitudinal section



A: 1/8" (3.5^{0.5} mm)
B: Fill with silicone

Measurements in inches (mm)

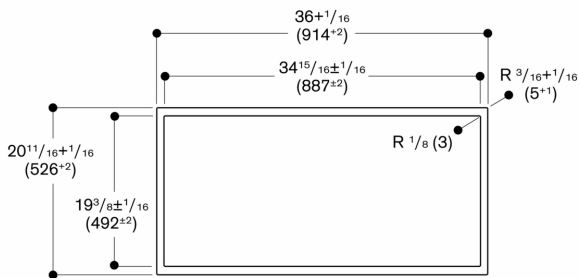
Cross-section



A: 1/8" (3.5^{0.5} mm)
B: Fill with silicone

Measurements in inches (mm)

View from above



Measurements in inches (mm)