



DF480701

1 x baking tray spray head
1 x GN container insert
1 x holder for long-stemmed glasses

DA042030:
Silver polishing cassette

DA043000:
Holder for long-stemmed glasses

DA020010:
Compensating + fixing kit, stainl. steel

DA021000:
Retractable hinge f. high corpus dimens.

GZ010011:
inlet and outlet hose extention

Dishwasher 400 series 24" DF480701

Optimal protection for sensitive glassware by low temperature drying with zeolite, optimized basket design and intelligent water softening
Flexible basket system with smooth running rails on all levels and cushioned closing of the upper and lower baskets
Perfectly illuminated interior
Push-to-open function for perfect integration into custom cabinet fronts
Very quiet: 42 dB

Operation

TFT display indicating remaining or end time, refill for salt and rinsing agent, inflow of water.
Touch key operation.
Flexible cycle time reduction, even during an active cycle.
Personalization function for storing individual combinations of programs.
Information key with use indicators.
Sanitized indicator in the control panel.
Time delay up to 24 hours.
Visual and acoustic end of program indicator.
Remaining time projection.

Technical Features

Perfectly illuminated interior.
Glass protection with zeolite.
Aqua sensor.
Load sensor.
Automatic detergent function.
Regeneration electronics.
Flow-Through Water Heater™
Triple filter system.
Soft lock.
Aqua stop.

Selected digital services (Home Connect)

Program assistant.
Temporary noise reduction (only available with active Home Connect functionality).
Home network integration for digital services (Home Connect) wireless via WiFi.
The use of the Home Connect functionality depends on the Home Connect services, which are not available in every country. For further information please check: home-connect.com.

Programs

8 programs:
Auto 150-160 °F. Auto 127-140 °F. Auto 113-122 °F. Eco 113-136 °F. Wash and Dry 122 °F. Quick Wash 113 °F (30 min). Glass Care 122 °F. Personalization function (default setting: Pre-rinse).
4 options:
Intensive Plus. Power. Sanitize. Extra Dry with zeolite.
Machine Care.

Interior

Flexible rack system with smooth running rails on all levels and soft-closing system of the upper and lower rack.
3rd rack for cutlery.
Upper basket:

Over extension. Rackmatic with 3 levels, adjustable in height up to 2" (5 cm). 6 folding spines. 4 folding racks for optimal protection of glass.

Lower basket:
Motorized spray arm. 8 folding spines. 2 folding racks for optimal protection of glass. Dividable glass support.
Cutlery basket.
Holder for long-stemmed glasses.
Maximum dish sizes (upper/lower basket)
8 1/4" / 10 1/4", 9 1/4" / 11 3/16 or 6 5/16" / 12 3/16" respectively.
13 place setting capacity.
Maximum glass loading capacity 23 wine glasses.

Consumption data

ENERGY STAR certified.
Total annual energy consumption 240 kWh.
Total annual water consumption 505 gallons.
Noise level 42 dB (re 1 pW).

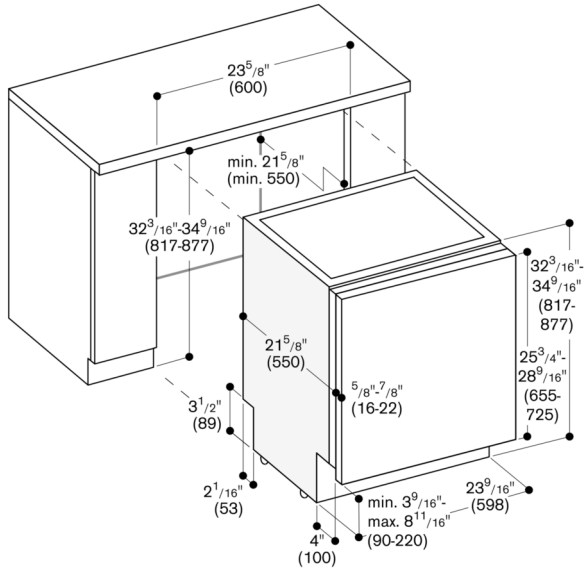
Planning notes

Height-adjustable feet.
Appliance toe-kick recess 3 15/16" (see drawing).
To display the remaining time projection, a minimum toe-kick protrusion is required (1 9/16" + thickness of the cabinet front).
The maximum toe-kick height must be reduced by 1 1/16" to provide an optimal display of the remaining time projection.
Rear feet adjustable at front.
Door weight up to 18 lb.
Door panel dimension dependent on toe-kick height of kitchen cabinetry.
Installation and usage also with custom cabinet handle possible. The push-to-open function remains active.

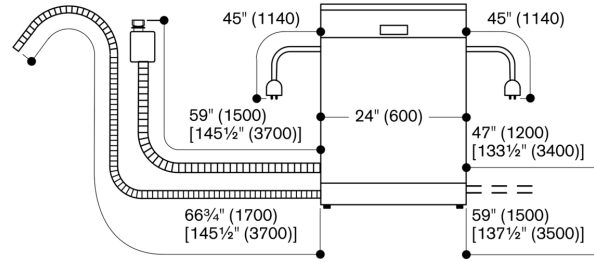
Rating

Total rating: 1440 W.
Connecting cable 47 1/4" with three-prong plug (NEMA 5-15P).
Water connection with 3/4" screw joint.
Connection to hot or cold water possible.
Power consumption standby/network 2.0 W.
Time auto-standby/network 2 min.
Please check the user manual for how to switch off the WiFi module.

Dishwasher (32³/₁₆" (81.7 cm))



Connection dimensions for a 24" (600 mm) wide dishwasher



[] values with extension kit
 Measurements in inches (mm)