



**DF481701F**  
**400 series dishwasher**  
**Fully integrated**  
**Height 34 1/8"**  
**With flexible hinge for reduced toe-kick height**



Optimal protection for sensitive glassware by low temperature drying with zeolite, optimized basket design and intelligent water softening  
Flexible basket system with smooth running rails on all levels and cushioned closing of the upper and lower baskets  
Perfectly illuminated interior  
Push-to-open function for perfect integration into custom cabinet fronts  
Flexible hinge for reduced toe-kick height as of 1 15/16" (50 mm)  
Lateral Info-Light  
Very quiet: 42 dB

#### Operation

TFT display indicating remaining or end time, refill for salt and rinsing agent, inflow of water.  
Touch key operation.  
Flexible cycle time reduction, even during an active cycle.  
Personalization function for storing individual combinations of programs. Information key with use indicators.  
Sanitized indicator in the control panel.  
Time delay up to 24 hours.  
Visual and acoustic end of program indicator.  
Lateral Info-Light.

#### Technical Features

Perfectly illuminated interior.  
Glass protection with zeolite.  
Aqua sensor.  
Load sensor.  
Automatic detergent function.  
Yes  
Flow-Through Water Heater™  
Triple filter system.  
Soft lock.  
Aqua stop.

Program assistant.  
Temporary noise reduction (only available with active Home Connect functionality).  
Home network integration for digital services (Home Connect) wireless via WiFi.  
The use of the Home Connect functionality depends on the Home Connect services, which are not available in every country. For further information please check: home-connect.com.

#### Programs

8 programs:  
Auto 150-160 °F. Auto 127-140 °F.  
Auto 113-122 °F. Eco 113-136 °F.  
Wash and Dry 122 °F. Quick Wash 113 °F (30 min). Glass Care 122 °F.  
Personalization function (default setting: Pre-rinse).  
4 options:  
Intensive Plus. Power. Sanitize. Extra Dry with zeolite.  
Machine Care.

#### Interior

Flexible rack system with smooth running rails on all levels and soft-closing system of the upper and lower rack.  
3rd rack for cutlery.  
Upper basket:  
Over extension. Rackmatic with 3 levels, adjustable in height up to 2" (5 cm). 6 folding spines. 4 folding racks for optimal protection of glass.  
Lower basket:

#### Product Features

##### Number of Options

6

##### Number of options

8

##### 3rd rack

3rd Rack 2.1

##### Tub material

Stainless steel

##### Concealed heating element

Yes

##### Leak protection system

24/7 Aqua Stop Plus

##### Five-level wash

Yes

##### Water softener

Yes

##### ChildLock

Total annual energy consumption

240

##### Energy Efficiency Class

ENERGY STAR®

Yes

##### Total annual energy consumption

505

##### Total annual water consumption

13

##### Number of place settings

13

##### Included accessories

1 x baking tray spray head, 1 x GN container insert, 1 x holder for long-stemmed glasses

#### Consumption and connection features

2023-06-01

Page 1

#### Cutlery basket.

Holder for long-stemmed glasses.  
13 place setting capacity.  
Maximum glass loading capacity 23 wine glasses.

#### Consumption data

Energy Star certified  
Total annual energy consumption 240 kWh.  
Total annual water consumption 505 gallons.  
Noise level 42 dB (re 1 pW).

#### Planning notes

Height-adjustable feet.  
Appliance toe-kick recess 3 15/16" (see drawing).  
Rear feet adjustable at front.  
Door weight up to 24 lb.  
Door panel dimension dependent on toe-kick height of kitchen cabinetry.  
Installation and usage also with custom cabinet handle possible. The push-to-open function remains active.

#### Rating

Total rating: 1440 W.  
Connecting cable 47 1/4" with three-prong plug (NEMA 5-15P).  
Water connection with 3/4" screw joint.  
Connection to hot or cold water possible.  
Power consumption standby/network 2.0 W.  
Time auto-standby/network 2 min.  
Please check the user manual for how to switch off the WiFi module.

#### Color Variants

**DF481701F**  
**Fully integrated**  
**Height 34 1/8"**

#### Included accessories

1 x baking tray spray head.  
1 x GN container insert.  
1 x holder for long-stemmed glasses.

#### Optional accessories

**DA042030**  
**Sterling silver cutlery cassette**  
**DA043000**  
**Holder for long-stemmed glasses**

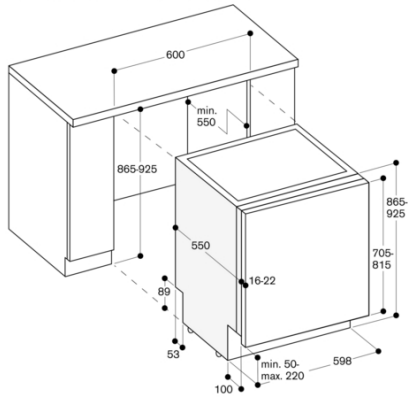
#### Installation Accessories

**GZ010011**  
**Extension for inlet and outlet (78" long)**

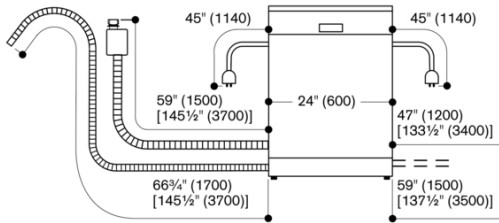
# GAGGENAU

DF481701F  
 400 series dishwasher  
 Fully integrated  
 Height 34 1/8"  
 With flexible hinge for reduced toe-kick height  
 2023-06-01  
 Page 2

86.5 cm high dishwasher with flexible hinge

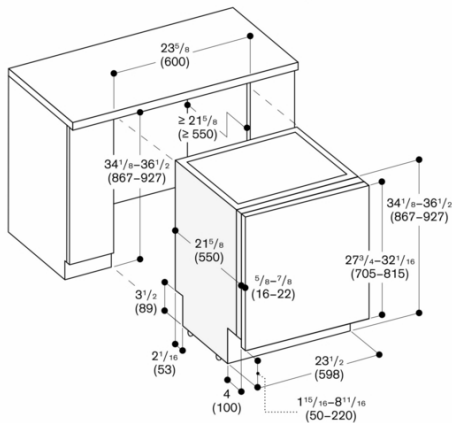


Connection dimensions for a 24" (600 mm) wide dishwasher



[ ] values with extension kit  
 Measurements in inches (mm)

Dishwasher 34 1/8" (867 mm) with flexible hinge



Measurements in inches (mm)