

**AF210191**  
**Flat kitchen hood 200 series**  
**Stainless steel handle bar**  
**Width 90 cm**  
**Air extraction / Air recirculation**



Unobtrusive flat kitchen hood design thanks to integrated glass panel in the steam screen  
 Especially quiet operation thanks to integrated sound insulation  
 Steam screen extends by touching the handle bar  
 Especially high air output  
 Energy-saving, low-noise fan  
 Function for automatic, sensor-controlled power adjustment depending on the build-up of cooking vapours  
 Dimmable, neutral white LED light for ideal illumination of the whole cooktop  
 The patented lowering frame allows the flat kitchen hood to disappear completely into the upper cabinet  
 Air extraction or air recirculation system  
 Air recirculation module with activated charcoal filter: quiet and highly efficient air recirculation solution with odour reduction as in air extraction mode and long replacement intervals

**Output**  
 Performance and noise level, output level 3/Intensive:  
 Air output according to EN 61591.  
 Sound power level according to EN 60704-3.  
 Sound pressure level according to EN 60704-2-13.  
 Odour reduction for air recirculation in accordance with EN 61591.  
 Odour reduction air recirculation 91%.

**Features**  
 Controls at front.  
 3 electronically controlled power levels and 1 intensive mode.  
 Automatic function with sensor-controlled run-on function.  
 Grease filter saturation indicator.  
 Stainless steel grease filter, dishwasher-safe.  
 Neutral white LED light (3500 K), continuously dimmable.  
 Lamp output 3 x LED 3W.  
 Illuminance 762 lx.  
 Light can be switched on separately.  
 Fan technology with highly efficient, brushless DC motor (BLDC).  
 Integrated sound insulation for quiet operation.  
 The fan is activated when the steam screen is extended.  
 Patented technology for extension of the steam screen.  
 Extendable steam screen 198 mm.  
 Airflow-optimised interior for efficient air circulation and ease of cleaning.  
 Patented easy mounting system for simple installation.  
 The package includes an one-way flap.

**Consumption data**  
 Energy consumption 43.3 kWh/year.  
 Ventilation efficiency class A.  
 Illumination efficiency class A.  
 Grease filter efficiency class B.  
 Sound level min. 42 dB / max. 57 dB normal mode.

**Planning notes**

**Characteristics**  
**Product name/family**  
**Color chimney**  
**Typology**  
 Pull-out  
**Approval certificates**  
 , CE, Eurasian, G-Mark, Ukraine, VDE  
**Length electrical supply cord**  
 175  
**Required niche size for installation (HxWxD)**  
 349mm x 524.0mm x 290mm  
**Height of the chimney**  
**Height of product, without chimney**  
**Net weight**  
 17.5  
**Type of control**  
 Electronic  
**Number of speed settings**  
**Maximum output air extraction**  
 516  
**Boost position output recirculating**  
 649  
**Maximum output recirculating air**  
 500  
**Boost position air extraction**  
 964  
**Number of lights**  
 3  
**Noise level**  
 57  
**Diameter of air outlet**  
 120 / 150  
**Grease filter material**  
 Washable stainless steel  
**Odour filter**  
 No  
**Operating Mode**  
 Convertible  
**Delay Shut off modes**  
**Required accessories**  
**Optional accessories**  
 AA210110, AA211812  
**Type of lamps used**  
 LED  
**Total power of the lamps**  
 9  
**Grease filter type**  
 Kassette  
**Clean filter reminders**  
**Connection Rating**  
 269  
**Fuse protection**  
 10  
**Voltage**  
 220-240  
**Frequency**  
 50; 60  
**Plug type**  
 CH plug w/ earthing, Gardy plug w/ earthing, GB plug  
**Installation typology**  
 Built-in  
**Universal Product Code**  
**Material body**  
 Stainless steel  
**Approval certificates**  
 , CE, Eurasian, G-Mark, Ukraine, VDE  
**Length of electrical supply cord (in)**  
**Plug type**  
 CH plug w/ earthing, Gardy plug w/ earthing, GB plug  
**Dimensions of the product, with chimney (if exists) (in)**  
 / x x  
**Dimensions of the packed product**  
 15.74 x 37.40 x 18.89  
**Height of the chimney (in)**  
**Vertical rise height**  
**Required distance above cooktop/ ranges**  
**Net weight**  
 39.000  
**Gross weight**  
 42.000  
**Motor location**  
 Integrated motor in hood body  
**Maximum output recirculating air**  
**Diameter of air duct (in) top**  
**Diameter of air duct (in) back**  
**Discharge direction**

Patented air recirculation module with activated charcoal filter can be installed in the upper cabinet. The activated carbon filter can be changed from the front by simply pulling out the activated charcoal filter.

The door of the upper cabinet must be fully open in order to change the activated charcoal filter.

To be installed in an upper cabinet without base.

The required cavity depth of the upper cabinet together with the lowering frame measures 335 mm.

The required cavity height of the upper cabinet together with the lowering frame measures 600 mm.

Clearance above gas appliances min. 65 cm (more than total load gas 12 kW min. 70 cm).

Clearance above electric appliances min. 43 cm.

When installing a ventilation hood with air extraction mode and a chimney-vented fireplace, the power supply line of the ventilation appliance needs a suitable safety switch.

**Connection**

Total connected load 269 W.

Connecting cable 1.8 m, pluggable.

**Color Variants**

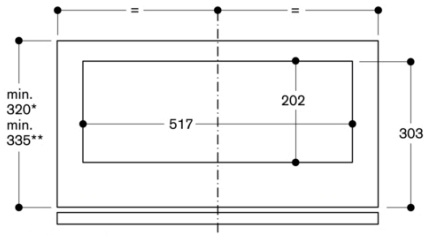
AF210191

Stainless steel handle bar

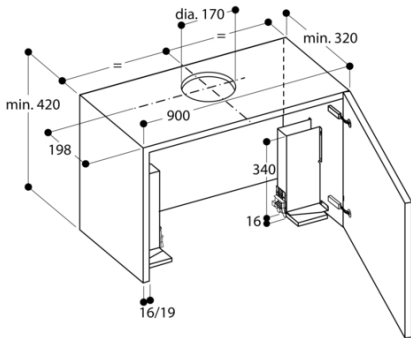
Width 90 cm

AF210191  
 Flat kitchen hood 200 series  
 Stainless steel handle bar  
 Width 90 cm  
 Air extraction / Air recirculation  
 2022-02-04  
 Page 2

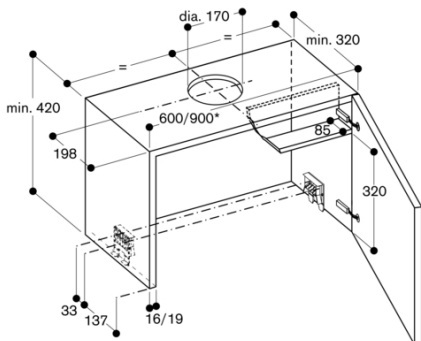
View of upper cabinet from above with AA 211 812



\* Appliance only  
 \*\* Appliance with AA 210 490/460 lowering frame

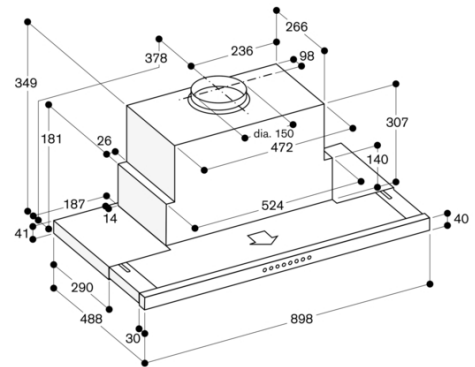
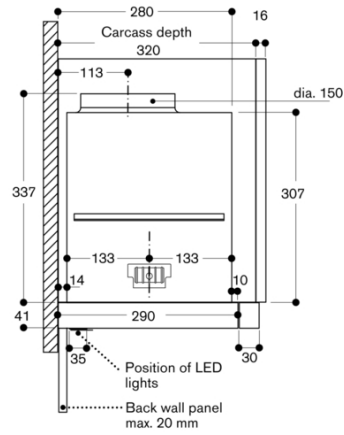
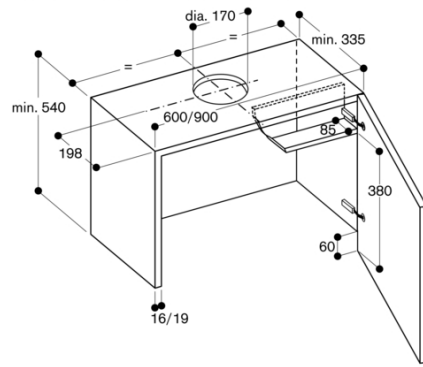


Upper cabinet for AF 210

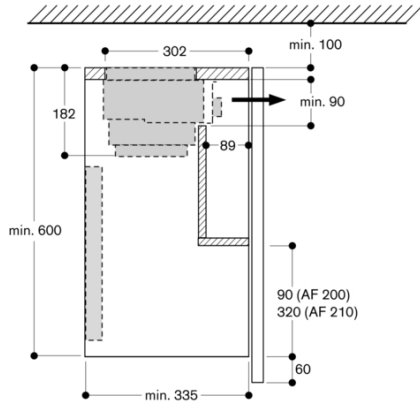


\* for upper cabinets measuring 90 cm, the AA 210 491 installation set is required in addition

Upper cabinet for AF 210  
 with AA 210 460/AA 210 490 lowering frame



Cross-section of upper cabinet with AA 211 812 and AA 210 490/460 lowering frame



Cross-section of upper cabinet with AA 211 812

