



Color Variants

AW251192
Full glass front in Gaggenau metallic
Width 90 cm
AW253192
Full glass front in Gaggenau silver
Width 90 cm

AW251192
Wall-mounted hood 200 series
Full glass front in Gaggenau metallic
Width 90 cm
Air extraction / Air recirculation
Delivery without chimney

Angled vapour screen provides particularly generous free space above the cooktop
Filter cover with easy to clean glass front
Glass cover fitting to oven 200 series
Energy-saving, low-noise fan
Vapours can be caught efficiently thanks to two suction areas on the underside and front
The glass panel can be extended forward to increase the area for catching vapours during particularly intensive cooking
Function for automatic, sensor-controlled power adjustment depending on the build-up of cooking vapours
Dimmable ambient lighting allows light to be adjusted individually
Air extraction or air recirculation system

Output

Performance and noise level, output level 3/Intensive:
Air output according to EN 61591.
Sound power level according to EN 60704-3.
Sound pressure level according to EN 60704-2-13.
Odour reduction for air recirculation in accordance with EN 61591.
Air extraction:
530 / 960 m³/h.
57 / 70 dB (A) re 1 pW.
42 / 55 dB (A) re 20 µPa.
Air recirculation:
460 / 670 m³/h.
68 / 78 dB (A) re 1 pW.
54 / 64 dB (A) re 20 µPa.
Odour reduction air recirculation 95%.

Features

3 electronically controlled power levels and 1 intensive mode.
Automatic function with sensor-controlled run-on function.
Grease filter and activated charcoal filter saturation indicator.
Interval ventilation, 6 min.
Cooktop-based ventilation control (with suitable cooktop).
Metal grease filter, dishwasher-safe.
Glass filter cover in Gaggenau metallic.
2 activated charcoal filter fitted in appliance ex factory.
Neutral white LED light (3500 K), continuously dimmable.
Lamp output 2 x LM5-01_LED_3W.
Illuminance 460 lx.
Indirect LED light (3.000 K), dimmable.
Fan technology with highly efficient, brushless DC motor (BLDC).
Integrated sound insulation for quiet operation.
Easy to clean inner frame.
Easy mounting system for simple installation and alignment.
Home network integration for digital services (Home Connect) wireless via WiFi.
The use of the Home Connect functionality depends on the Home Connect services, which are not available in every country. For further information please check: home-connect.com.

Consumption data

Characteristics
Product name/family
Color chimney
Typology
Chimney
Approval certificates
CE, Eurasian, G-Mark, Ukraine, VDE
Length electrical supply cord (cm)
130
Required niche size for installation (HxWxD)
Height of the chimney (mm)
Height of product, without chimney (mm)
452
Net weight (kg)
24.491
Type of control
Electronic
Number of speed settings
Maximum output air extraction (m³/h)
529
Boost position output recirculating (m³/h)
670.0
Maximum output recirculating air (m³/h)
Boost position air extraction (m³/h)
990
Number of lights
2
Noise level (dB(A) re 1 pW)
57
Diameter of air outlet (mm)
150
Grease filter material
Washable aluminium
Odour filter
Yes
Operating Mode
Convertible
Delay Shut off modes
10M
Required accessories
Optional accessories
AA250112, AA250113
Type of lamps used
LED
Total power of the lamps (W)
6
Grease filter type
Kassette
Clean filter reminders
Consumption and connection features
Connection Rating (W)
270
Current (A)
10
Voltage (V)
220-240
Frequency (Hz)
60; 50
Plug type
Gardy plug w/ earthing
Installation typology
Wall-mounted
Universal Product Code
Material body
Glass, Stainless steel
Approval certificates
CE, Eurasian, G-Mark, Ukraine, VDE
Length of electrical supply cord (in)
Plug type
Gardy plug w/ earthing
Dimensions of the product, with chimney (if exists) (in)
/ x x
Dimensions of the packed product (in)
27.16 x 29.52 x 40.15
Height of the chimney (in)
Vertical rise height
Required distance above cooktop/ ranges
Net weight (lbs)
54
Gross weight (lbs)
74
Motor location
Integrated motor in hood body
Maximum outout recirculating air (CFM)

Energy efficiency class A+ at a range of energy efficiency classes from A++ to E.
Energy consumption 31.4 kwh/year.
Ventilation efficiency class A.
Illumination efficiency class A.
Grease filter efficiency class B.
Sound level min. 42 dB / max. 57 dB normal mode.

Planning notes

The ventilation appliance is supplied for air recirculation mode only without a chimney. The special accessory AD 200 012 is available for potential air extraction mode.
Clearance above gas appliances min. 60 cm (more than total load gas 12 kW min. 70 cm).
Clearance above electric appliances min. 45 cm.
When installing a ventilation hood with air extraction mode and a chimney-vented fireplace, the power supply line of the ventilation appliance needs a suitable safety switch.

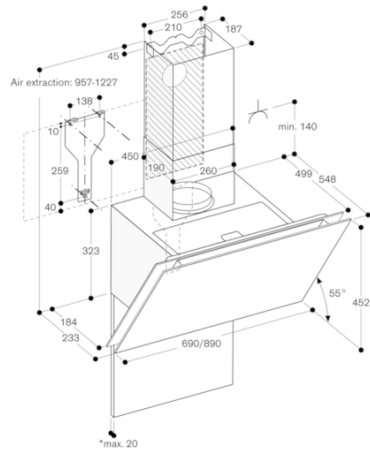
Connection

Total connected load 270 W.
Connecting cable 1.3 m with plug.
Power consumption standby/display off 0.5 W.
Power consumption standby/network 2.0 W.
Please check the user manual for how to switch off the WiFi module.

GAGGENAU

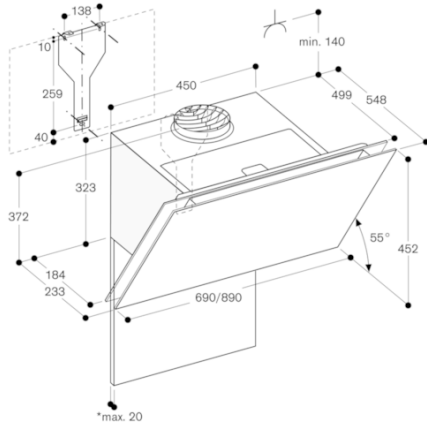
AW251192
Wall-mounted hood 200 series
Full glass front in Gaggenau metallic
Width 90 cm
Air extraction / Air recirculation
Delivery without chimney
2020-03-29
Page 2

Air extraction



*max. 20
* Note the maximum thickness of the back panel.

Air recirculation



*max. 20
* Note the maximum thickness of the back panel.