



**CI283101**  
**Flex induction cooktop 200 series**  
**Frameless**  
**Width 80 cm**

Frameless for flush mounting  
 Flex function for combining the rectangular cooking areas  
 Free positioning of cookware inside combined cooking areas  
 Frying sensor function for temperature control in pans  
 Twist-Pad control with removable magnetic knob  
 Easy control of all functions with bicoloured display

#### Cooking zones

2 flex induction cooking areas 19x21 cm (2200 W, with booster 3700 W), linked together 38x21 cm (3300 W, with booster 3700 W).  
 1 induction cooking zone ø 24 cm (2200 W, with booster 3700 W).  
 1 induction cooking zone ø 18 cm (1800 W, with booster 3100 W).  
 1 induction cooking zone ø 15 cm (1400 W, with booster 2200 W).

#### Handling

Twist-Pad control with removable magnetic knob.  
 User friendly control with bicoloured display (white / orange).  
 Cooking zone and cooking area marking.  
 Electronic power control in 17 output levels.

#### Features

Flex function for rectangular cooking areas.  
 Frying sensor function.  
 Booster function for pots.  
 Booster function for pans.  
 Keep warm function.  
 Stopwatch.  
 Cooking timer for up to 99 minutes.  
 Short-term timer.  
 Options menu.  
 Power management.  
 Cooktop-based ventilation control (with suitable hood).  
 Home network integration for digital services (Home Connect) wireless via WiFi.  
 The use of the Home Connect functionality depends on the Home Connect services, which are not available in every country. For further information please check: [home-connect.com](http://home-connect.com).

#### Safety

Main switch.  
 Operation indicator.  
 Pot detection.  
 2 stage Hh residual heat indicator for each zone  
 Child lock.  
 Safety shut-off.

#### Planning notes

Operates with magnetic (induction) iron pots and pans only. For an optimal heat distribution, the use of sandwich bottom cookware is recommended. The wok pan WP 400 001 cannot be used with this appliance. Immersion depth 56 mm. Intermediate shelf is recommended. Appliance must be fixed from underneath.  
 Cooktop clamping range: 20 - 40 mm.  
 Appliance weight: approx. 19 kg.

#### Connection

Total connected load 7.4 kW.  
 Connecting cable 1.5 m without plug.

#### Characteristics

**Product name/family**  
 Cooking zone ceramic

**Construction type**  
 Built-in

**Energy input**  
 Electric

**Total number of positions that can be used at the same time**  
 5

**Type of control setting devices**  
 Required niche size for installation (HxWxD)  
 56 x 780-798 x 490-518

**Width of the product (mm)**  
 793

**Dimensions of the product (mm)**  
 56 x 793 x 513

**Dimensions of the packed product (HxWxD) (mm)**  
 126 x 953 x 603

**Net weight (kg)**  
 18.523

**Gross weight (kg)**  
 20.0

**Residual heat indicator**  
 Separate

**Location of control panel**  
 Hob front

**Type of external control possibility**  
 Basic surface material  
 Ceramic

**Color of surface**  
 Black

**Color of frame**

**Approval certificates**  
 AENOR, CE

**Length electrical supply cord (cm)**  
 150

**Knob Material**  
 Full metal

**Sealed Burners**  
 No

**heating with booster**  
 All

**Type of pan support**  
**Natural Gas Connection Rating (BTU)**  
**LP Gas Connection Rating (BTU)**  
**Dimension of 1st heating element (in)**  
**Power of heating element (kW)**  
 1.8  
**Power of 1st burner (BTU)**  
**Dimension of 2nd heating element (in)**  
**Power of 2nd heating element (kW)**  
**Power of 2nd burner (BTU)**  
**Dimension of 3rd heating element (in)**  
**Power of 3rd heating element (kW)**  
 1.4  
**Power of 3rd burner (BTU)**  
**Dimension of 4th heating element (in)**  
**Power of 4th heating element (kW)**  
**Power of 4th burner (BTU)**  
**Dimension of 5th heating element (in)**  
**Power of 5th heating element (kW)**  
**Power of 5th burner (BTU)**  
**Dimension of 6th heating element (in)**  
**Power of heating element (kW in boost)**  
 [3.1]  
**Power of 2nd heating element (kW in boost)**  
**Power of 3rd heating element (kW in boost)**  
 [2.2]  
**Power of 4th heating element (kW in boost)**  
**Power of 5th heating element (kW in boost)**  
**Power of 6th heating element (kW in boost)**

**Consumption and connection features**  
**Electrical connection rating (W)**  
 7400  
**Gas connection rating (W)**  
**Current (A)**  
**Voltage (V)**  
 220-240  
**Frequency (Hz)**  
 60; 50  
**Universal Product Code**

Power consumption standby/display off 0.5 W.  
 Power consumption standby/network 2.0 W.  
 Please check the user manual for how to switch off the WiFi module.

#### Color Variants

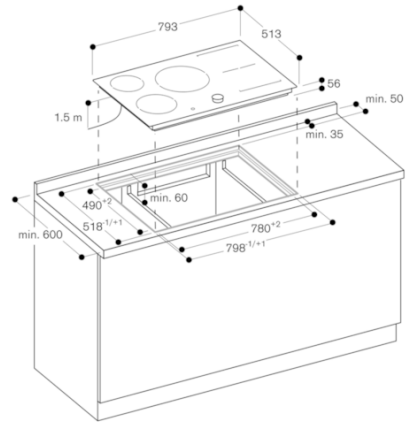
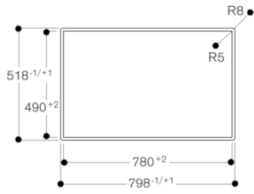
CI283101  
 Frameless  
 Width 80 cm

#### Optional accessories

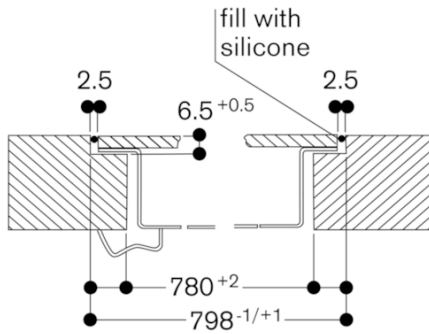
GP900003  
 Stainless steel frying sensor pan

# GAGGENAU

View from above



Longitudinal section



Cross section

