



RB492301

A+

1 x egg box with lid
1 x ice cube scoop

RA030100:
Storage container with lid

RA421910:
SS door 91,4cm/36" for RB492

RA425110:
Vario SS handle 1131 mm

RA425910:
Vario SS handle 810 mm

RA460000:
Installation kit SxS

RA460011:
Heating side kit 230V

RA460030:
Frontpanel connection for RB

RA461911:
Toe Kick 91,4cm/36"

Vario Built-in Fridge-Freezer with Freezer at Bottom 400 series
212.5 x 90.8 cm, flat hinge
RB492301

Stainless steel interior
Generous lighting concept
Solid aluminium door racks
Net volume 532 litres
Integrated ice maker with fixed inlet water connection
One motorised glass shelf, adjustable when fully loaded
One asymmetrically split glass shelf
Fully extendable freezer drawer with practical divider
Energy efficiency class A+

Handling

Electronic temperature control with digital display.

Technical Features

Dynamic cold air distribution.
Automatic defrosting with defrost water evaporation.
Open-door and malfunction alarm.

Cooling

No-Frost technology with fast cooling.
Temperature adjustable from +2 °C to +8 °C.
2 safety glass shelves, 1 of which is motorised.
1 asymmetrically split safety glass shelf, with manual height adjustment.
2 fully extendable drawers with transparent front.
Bright interior lighting with light pillars.
2 height-adjustable door racks, 1 of which is extra deep.
1 door rack with transparent front flap.

Fresh cooling

No-frost technology.
1 full width fully extendable fresh cooling drawer with transparent front, manually controllable.

Freezing

Net volume 146 litres.
No-frost technology with fast freezing.
4-star freezer compartment.
Freezing capacity 16 kg/24 h.
Storage time after a malfunction 17 h.
2 fully extendable drawers.
Interior lighting with 2 spots.

Ice maker

Integrated in the freezer compartment, with fixed water connection (inlet).
Can be switched off.
Ice cube production approx. 1.7 kg/24 h.
Removable ice storage container with approx. 3 kg capacity.

Consumption data

Energy consumption 426 kWh/year.
Noise level 42 dB (re 1 pW).

Planning notes

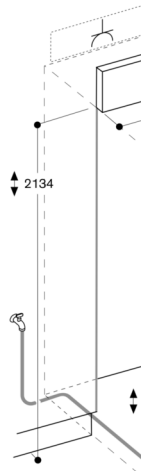
Flat hinge.
Door hinge right, reversible.
Door opening angle of 115°, fixable at 90°.
Max. door panel weight:

Door 35 kg. Drawer 10 kg.
Shut-off valve for water connection must be planned next to the appliance and always be accessible.

If the water pressure exceeds 0.8 MPa (8 bar), connect pressure relief valve between water tap and hose set.

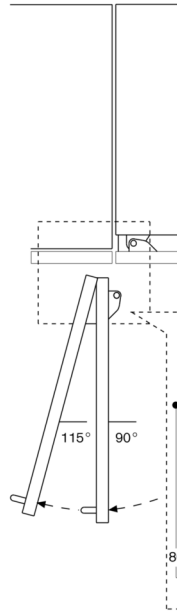
Connection

Total connected load: 0.574 KW.
Connecting cable 3.0 m, detachable.
Water inlet.
Supply hose 3.0 m with 3/4" connection.
Water pressure 2 to 8 bar.



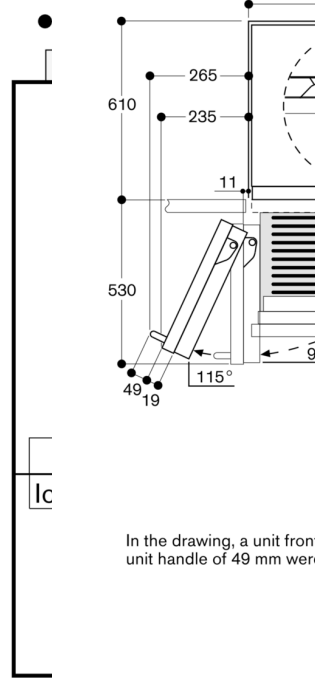
The maximum door panel

Door opening angle



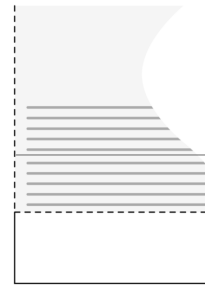
The hinge travel and resultant units and handles can be for the thickness of the front panel thickness of 19 mm

Wall clearance RB 492/R



In the drawing, a unit front unit handle of 49 mm were

Base detail



Based on the standard height plinth is 102 mm. Maximum