



RC462301

A++

RA030100:

Storage container with lid

RA421610:

SS door 61cm / 24"

RA425110:

Vario SS handle 1131 mm

RA460000:

Installation kit SxS

RA460011:

Heating side kit 230V

RA460020:

Frontpanel connection long

RA460040:

Finger protection extra long

RA461616:

Toe kick 61cm/24"

Vario Built-in Fridge-Freezer 400 series
212.5 x 60.3 cm, flat hinge

RC462301

Stainless steel interior
Generous lighting concept
Solid aluminium door racks
Net volume 369 litres
Fresh cooling drawer, temperature control from 0 °C to 3 °C
One motorised glass shelf, adjustable when fully loaded
Energy efficiency class A++

Handling

Electronic temperature control with digital display.

Technical Features

Dynamic cold air distribution with Multi-Air-Flow.
Automatic defrosting with defrost water evaporation.
Activated charcoal air filter.
Rest mode certified by Star-K.
Open-door and malfunction alarm.

Cooling

Net volume 318 litres.
No-Frost technology with fast cooling.
Temperature adjustable from +2 °C to +8 °C.
4 safety glass shelves, 1 of which is motorised, 2 manually adjustable.
2 fully extendable drawers with transparent front, 1 of which deep and 1 shallow.
Bright interior lighting with light pillars.
3 height adjustable door racks, 1 of which is extra deep.
1 door rack with transparent front flap.

Fresh cooling close to 0 °C

Net volume 51 litres.
Separate automatic temperature control, with settings for fish, meat or vegetables.
1 large, fully extendable drawer with transparent front and integrated lighting.

Consumption data

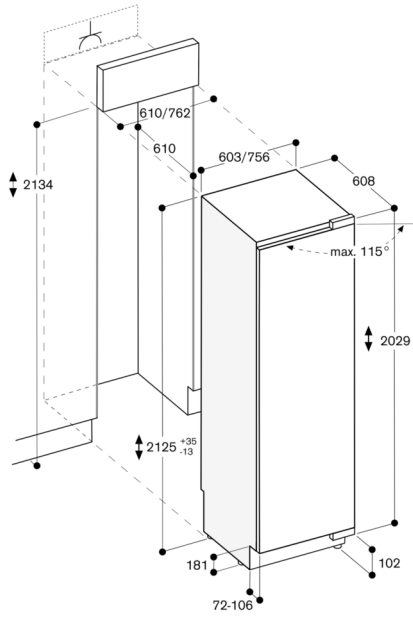
Energy efficiency class A++ at a range of energy efficiency classes from A+++ to D.
Energy consumption 133 kWh/year.
Noise level 40 dB (re 1 pW).

Planning notes

Flat hinge.
Door hinge right, reversible.
Door opening angle of 115°, fixable at 90°.
Max. door panel weight 35 kg.

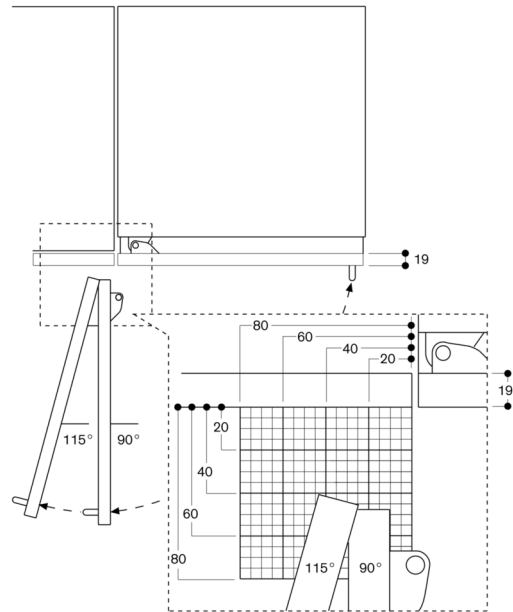
Connection

Total connected load: 0.266 KW.
Connecting cable 3.0 m, detachable.

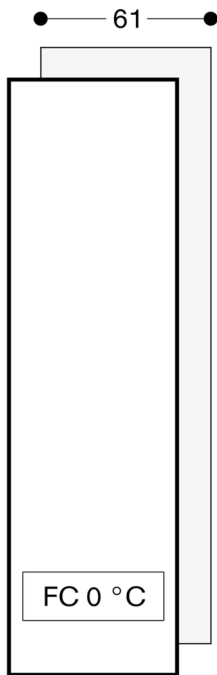


The maximum door panel dimensions are based on a clearance of 3 mm.

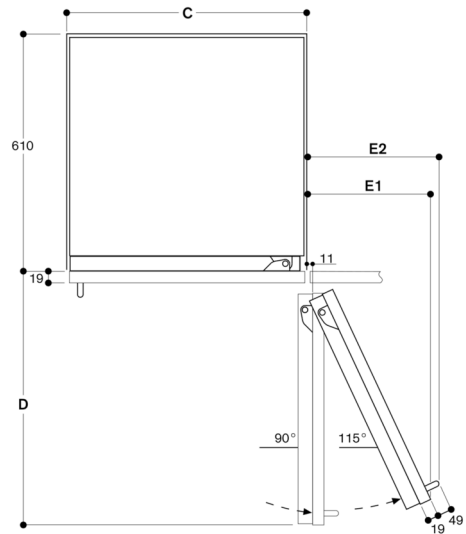
Door opening angle



The hinge travel and resulting clearances from adjacent furniture units and handles can be found from the drawing while allowing for the thickness of the front panel. In the drawing, a furniture unit front panel thickness of 19 mm was assumed.



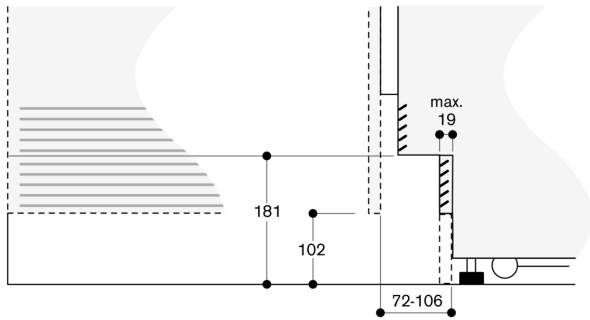
Wall clearance RB 472/RC/RF/RW



Recess width	D	E1	E2	
C	457 mm	525 mm	235 mm	265 mm
	610 mm	677 mm	299 mm	330 mm
	762 mm	830 mm	363 mm	395 mm

In the drawing, a unit front thickness of 19 mm and a Gaggenau unit handle of 49 mm were taken as a basis.

Base detail



Based on the standard height of the appliance, the height of the plinth is 102 mm. Maximum thickness of the plinth is 19 mm.