

VE260114

VV200014:

Connecting strip series 200 ss

Vario Electric Hob 200 series

60 cm

VE260114

- Can be combined with the cooktops of the Vario 200 series to a harmonic unity
 - Generous control panel for comfortable and secure operation
 - 2 Super-Quick cooking zones ø 18 cm (1800 W).
 - 2 Super-Quick cooking zones ø 14.5 cm (1200 W).
 - Continuously variable energy controls.
 - Can be combined with the cooktops of the Vario 200 series to a harmonic unity
- Generous control panel for comfortable and secure operation

Cooking zones

2 Super-Quick cooking zones ø 18 cm (1800 W).

2 Super-Quick cooking zones ø 14.5 cm (1200 W).

Handling

Continuously variable energy controls.

Features

Cooking zone marking.

Safety

Individual residual heat indicators.

Operation indicator.

Planning notes

Immersion depth 58 mm.

Under the appliance, a 60 mm clearance must be observed from side panels or intermediate shelf must be planned.

Installation in a 60 cm wide bottom cabinet is possible.

Appliance can be snapped into the worktop from above.

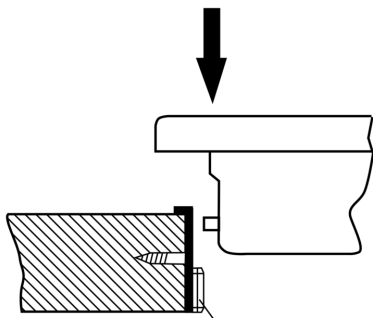
Securing rail on the rear and the front.

Connection

Total connected load 6.0 KW.

Plan a connection cable.

Appliance weight: approx. 10.



Mounting rail
(rear and front)

