



VG231114F

VD201014:
Stainless steel cover series 200

WP400001:
Wok pan

VV200014:
Connecting strip series 200 ss

Vario gas cooktop 200 series
30 cm, Liquidgas G30,31 28-30/37 mbar
VG231114F

Can be combined with the cooktops of the Vario 200 series to a harmonic unity
Generous control panel for comfortable and secure operation
Total output up to 5.8 KW

Cooking zones

Handling

One-handed operation.
To close the cover, the cast iron pan support can be easily reversed.

Features

Cast iron pan support.
Brass burner rings.

Safety

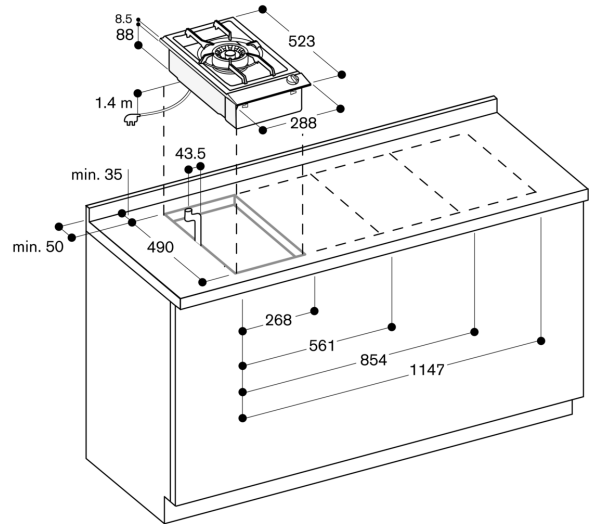
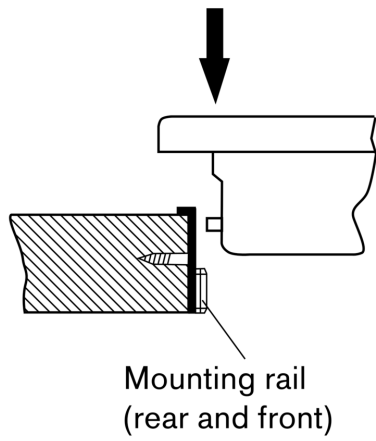
Thermoelectric safety pilot.

Planning notes

Maximum drawer depth 42 cm.
Appliance can be snapped into the worktop from above.
A minimum clearance of at least 150 mm from adjacent heat-sensitive furniture or contact surfaces must be observed or thermal insulation fitted.
With a total connected load of more than 11 kW local regulations concerning room ventilation, room size and combination of extraction or recirculation hoods must be observed.
Special nozzles (order 1 of each): Part No. 622148 Natural gas 20 mbar Part No. 622150 Liquid gas 50 mbar Part No. 622151 Liquid gas 28-30/37 mbar

Connection

Total connected load gas 5.8 KW.
Total connected load electric 1.0 W.
Connecting cable 1.4 m with plug.
Appliance weight: approx. 9.
Electric ignition.
Multi-ring burner of solid, heat-resistant brass as used in professional kitchen
1 multi-ring wok burner (270 W – 5800 W), suitable for pots up to max. \varnothing 32 cm.



Gas connection

