



**VI492111**  
**Vario flex induction cooktop 400 series**  
**Stainless steel frame**  
**Width 90 cm**

Flex function for combining the rectangular cooking areas  
 Free positioning of cookware inside combined cooking areas  
 Frying sensor function for temperature control in pans  
 Large cooking zone for pots up to  $\varnothing$  32 cm  
 Ideal for the original wok pan with round bottom, with wok ring  
 Easy control of all functions with bicoloured display  
 Solid stainless steel control knob  
 Precision crafting of 3 mm stainless steel  
 For surface mounting with a visible edge or for flush mounting  
 Can be combined perfectly with other Vario appliances of the 400 series

**Cooking zones**  
 2 flex induction cooking areas 19x23 cm (2200 W, with booster 3700 W), linked together 38x23 cm (3300 W, with booster 3700 W).  
 1 induction cooking zone  $\varnothing$  21 cm (2200 W, with booster 3700 W), automatically switches to  $\varnothing$  26 cm (2600 W, with booster 3700 W) and to  $\varnothing$  32 cm (3300 W, with booster 3700 W).

**Handling**  
 Control knobs with illuminated ring, cooking zone and output level markings.  
 Electronic power control in 12 stage (1...12).  
 User friendly control with bicoloured display (white / orange).

**Features**  
 Flex function for rectangular cooking areas.  
 Frying sensor function.  
 Booster function.  
 Stopwatch.  
 Short-term timer.  
 Options menu.

**Safety**  
 Individual residual heat indicators.  
 Safety shut-off.

**Planning notes**  
 Depending on the type of installation (surface-mounted or flush-mounted), the specific location of the cut-out and the knob positions may vary.  
 The horizontal positioning of the knobs may be aligned with the specific cooking areas and zones.  
 The drawing "Installation of the control knob" must be observed if the panel is more than 23 mm thick (there must be a recess at the rear).  
 If combining several Vario appliances of the 400 series, a connection strip VA 420 must be placed between the appliances. Depending on the type of installation, the corresponding connection strip must be provided.  
 The bearing capacity and stability, in the case of thin worktops in particular, must be supported using suitable substructures. Take into account the appliance weight and additional loads.  
 Additional instructions for flush mounting:

**Characteristics**  
**Product name/family**  
 Cooking zone ceramic  
**Construction type**  
 Built-in  
**Energy input**  
 Electric  
**Total number of positions that can be used at the same time**  
 5  
**Type of control setting devices**  
**Required niche size for installation (HxWxD)**  
 57 x 885-889 x 490-494  
**Width of the appliance**  
 908  
**Dimensions**  
 57 x 908 x 520  
**Dimensions of the packed product (HxWxD) (mm)**  
 111 x 1109 x 712  
**Net weight (kg)**  
 24.752  
**Gross weight (kg)**  
 26.8  
**Residual heat indicator**  
 Separate  
**Location of control panel**  
 External control  
**Type of external control possibility**  
**Basic surface material**  
 Ceramic  
**Color of surface**  
 Black, Stainless steel  
**Color of frame**  
 Stainless steel  
**Approval certificates**  
 AENOR, CE  
**Length electrical supply cord (cm)**  
 150  
**Knob Material**  
 Full metal  
**Sealed Burners**  
 No  
**heating with booster**  
 All  
**Type of pan support**  
**Natural Gas Connection Rating (BTU)**  
**LP Gas Connection Rating (BTU)**  
**Dimension of 1st heating element (in)**  
**Power of heating element (kW)**  
**Power of 1st burner (BTU)**  
**Dimension of 2nd heating element (in)**  
**Power of 2nd heating element (kW)**  
 3.3  
**Power of 2nd burner (BTU)**  
**Dimension of 3rd heating element (in)**  
**Power of 3rd heating element (kW)**  
**Power of 3rd burner (BTU)**  
**Dimension of 4th heating element (in)**  
**Power of 4th heating element (kW)**  
**Power of 4th burner (BTU)**  
**Dimension of 5th heating element (in)**  
**Power of 5th heating element (kW)**  
**Power of 5th burner (BTU)**  
**Dimension of 6th heating element (in)**  
**Power of heating element (kW in boost)**  
 3.7  
**Power of 3rd heating element (kW in boost)**  
**Power of 4th heating element (kW in boost)**  
**Power of 5th heating element (kW in boost)**  
**Power of 6th heating element (kW in boost)**  
 3.7  
**Connection Rating (W)**  
 11100  
**Gas connection rating (W)**  
**Current (A)**  
**Voltage (V)**  
 220-240  
**Frequency (Hz)**  
 60; 50  
**Universal Product Code**  
 825225954699  
**Main colour of product**  
 Black  
**Energy input**  
 Electric

Installation is possible in worktops made of stone, synthetics or solid wood. Heat resistance and watertight sealing of the cut edges must be observed. Concerning other materials please consult the worktop manufacturer.  
 The groove must be continuous and even, so that uniform placing of the appliance on the gasket is ensured. Do not use discontinuous lining.  
 The joint width may vary due to size tolerances of the combinations and of the worktop cut-out.  
 If installing several appliances in individual cut-outs allow for a division bar of minimum 50 mm between the individual cut-outs.  
 Operates with magnetic (induction) iron pots and pans only. For an optimal heat distribution, the use of sandwich bottom cookware is recommended.  
 Appliance can be snapped into the worktop from above.  
 Appliance weight: approx. 25.

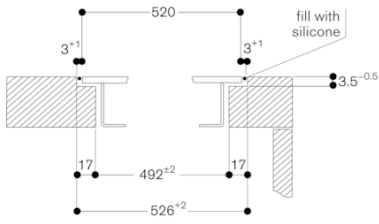
**Connection**  
 Total connected load 11.1 KW.  
 Connecting cable 1.5 m without plug.

**Color Variants**  
 VI492111  
 Stainless steel frame  
 Width 90 cm

**Optional accessories**  
 GP900003  
 Stainless steel frying sensor pan  
 WP400001  
 Wok pan made of multiple-layer material  
 WZ400001  
 Wok attachment for wok pan

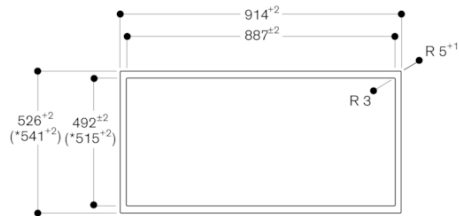
**Installation Accessories**  
 VA420000  
 Connection strip for combination with other Vario appliances of the 400 series for flush installation  
 VA420010  
 Connection strip for combination with other Vario appliances of the 400 series for surface installation

Cross-section



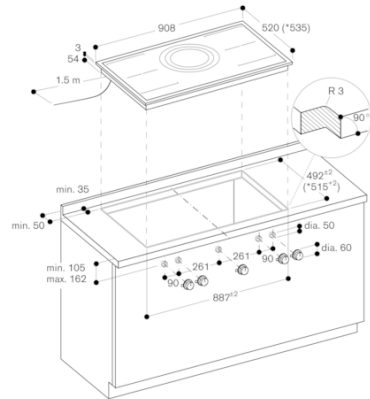
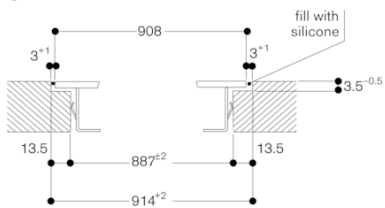
When installing with appliance cover or filler strip, pay attention to the deeper cut-out and the front and rear groove width.

View from above

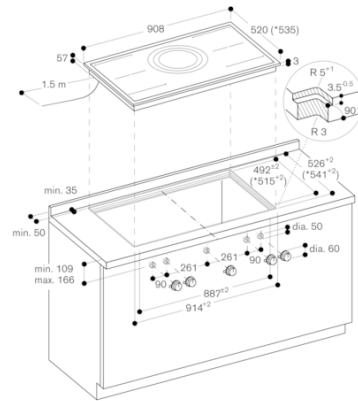


\* with filler strip

Longitudinal section

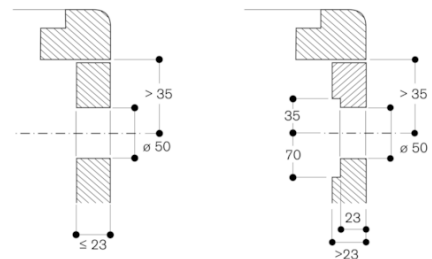


\* with filler strip.  
 For further installation options, see the installation instructions.



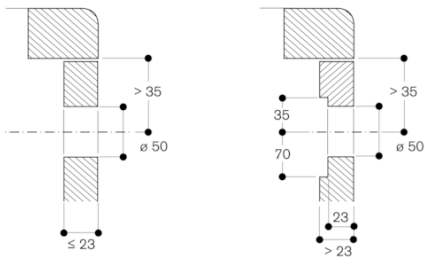
\* with filler strip  
 For further installation options, see the installation instructions.

Installation of the control knob; flush installation



measurements in mm

Installation of the control knob; surface mounting



measurements in mm