



VK230114

FK023000:

Noodle basket for vario steamer

GE020010:

Cooking insert for Vario Steamer

GE020020:

Cooking insert for Vario Steamer

VD201014:

Stainless steel cover series 200

AG050000:

Drain installation set for steamer

AG060000:

Drain installation set for steamer

VV200014:

Connecting strip series 200 ss

Vario steamer 200 series

VK230114

- Can be combined with the cooktops of the Vario 200 series to a harmonic unity
- Generous control panel for comfortable and secure operation
- Steaming in cooktop size
- Exact water temperature control from 45 °C to 95 °C
- Cooking on two levels, without flavour transfer
- Can be combined with the cooktops of the Vario 200 series to a harmonic unity

Generous control panel for comfortable and secure operation

Steaming in cooktop size

Exact water temperature control from 45 °C to 95 °C

Cooking on two levels, without flavour transfer

Cooking zones

Water capacity 1 to 6 litres.

Handling

Function display.

Electronic water temperature control from 45 °C to 95 °C, in 5 °C steps.

Steam cooking level with electronic steam control for pressureless cooking.

Features

Automatic boiling point detection.

Motor-driven water drain valve 1/2".

Electronic short-term timer up to 90 min.

Special heating system.

Safety

Remaining time display.

Child lock.

Operation indicator.

Automatic shut off.

Planning notes

Access to drain in bottom cabinet is required.

Appliance is intended for fixed water outlet connection, but can be fitted without fixed connection by using the special accessory AG 060.

Seal the worktop cutout.

Appliance can be snapped into the worktop from above.

A minimum clearance of at least 200 mm from adjacent heat-sensitive furniture or contact surfaces must be observed or thermal insulation fitted.

In case of suspended cabinets a ventilation hood must be installed above the steamer.

If a cover is fitted, the glass lid must be removed when closing it.

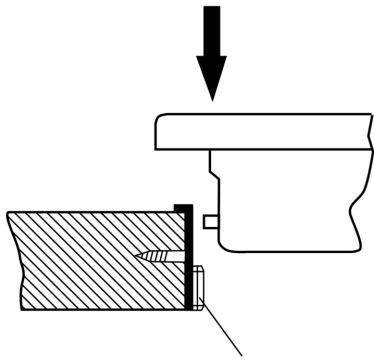
VK 230 and VF 230 must not be installed directly next to each other.

In combination with the downdraft ventilation VL 040/041, this must be planned on the right of VK.

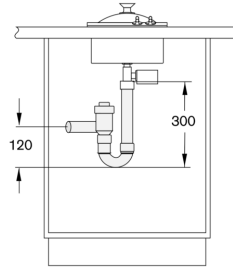
Connection

Total connected load 2.3 KW.

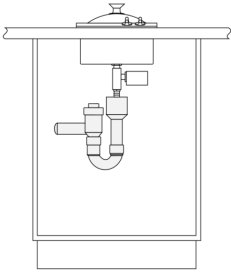
Connecting cable 1.7 m without plug.



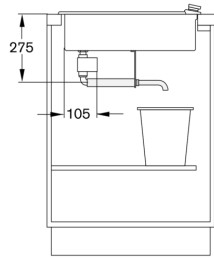
Mounting rail
(rear and front)



Drainage connection present in the bottom cupboard:
Fixed connection without free fall section as per DIN 1986, Part 1.
A non-return valve must be installed.
Recommendation: AG 050 000 Drain installation set.



Drainage connection present in the bottom cupboard:
Fixed connection with free fall section as per DIN 1986 Part 1.
A non-return valve must be installed.
Recommendation:
Install a non-return valve.
Recommendation: AG 050 000 Drain installation set.



Drainage into a water-collecting receptacle (e.g. saucepan).
Only possible with AG 060 000 Drain installation set.

