



VR414110
Vario electric grill 400 series
Stainless steel
Width 38 cm

2 separately controlled zones
 Cast pan, half size, for simultaneous frying and grilling on two separate surfaces
 Open cast grill, lava stones
 Solid stainless steel control knob
 Precision crafting of 3 mm stainless steel
 For surface mounting with a visible edge or for flush mounting
 Can be combined perfectly with other Vario appliances of the 400 series

Handling
 Control knobs with illuminated ring, cooking zone and output level markings.
 Electronic control in 12 output levels.

Features
 Cooktop, lava stone trough and grease collecting insert from stainless steel.
 2 independently controlled grilling elements (1500 W).
 Two-part cast grill.

Safety
 Safety shut-off.

Planning notes
 Depending on the type of installation (surface-mounted or flush-mounted, with or without an appliance cover), the specific location of the cut-out and the knob positions may vary.
 If installing with the appliance cover VA 440 or filler strip VA 450 take into account the additional space required for the depth.
 If combining several appliances with at least one appliance cover, the filler strip VA 450 is required to compensate for the depth of the appliance without the appliance cover.
 If combining several Vario appliances of the 400 series, a connection strip VA 420 must be placed between the appliances. Depending on the type of installation, the corresponding connection strip must be provided.
 In the cut-out, the installation system requires the side edge to be at least 10 mm for surface mounting and at least 13 mm for flush mounting. Ensure a continuous cut surface of 90°.
 The bearing capacity and stability, in the case of thin worktops in particular, must be supported using suitable substructures. Take into account the appliance weight and additional loads. Additional instructions for flush mounting:
 Installation is possible in worktops made of stone, synthetics or solid wood. Heat resistance and watertight sealing of the cut edges must be observed. Concerning other materials please consult the worktop manufacturer.
 The groove must be continuous and even, so that uniform placing of the appliance on the gasket is ensured. Do not use discontinuous lining.
 The joint width may vary due to size tolerances of the combinations and of the worktop cut-out.
 If installing several appliances in individual cut-outs allow for a division bar of minimum 50 mm between the individual cut-outs.
 Built-in control panel to be integrated in the bottom cabinet at drawer level.

Characteristics
Product name/family
 Vario/Domino barbecue grill
Built-in / Free-standing
 Built-in
Energy input
 Electric
Type of control
 Electronic
Grill grating material
 Cast iron
Required niche size for installation (HxWxD)
 105 x 360 x 492
Width of the appliance
 380
Dimensions
 105 x 380 x 520
Dimensions of the packed product (HxWxD)
 350 x 435 x 580
Net weight (kg)
 26.456
Gross weight (kg)
 28.5
Residual heat indicator
 Separate
Location of control panel
 Hob front
Basic surface material
 Cast iron
Color of surface
 Stainless steel, Stainless steel
Color of frame
 Stainless steel
Approval certificates
 , CCC, CE, China, China ROHS 20, Eurasian, G-Mark, Ukraine, VDE
Length electrical supply cord
Connection Rating (W)
 3000
Gas connection rating (W)
Fuse protection (A)
 16
Voltage (V)
 220-240
Frequency (Hz)
 60; 50

Consumption and connection features
 2021-09-05
 Page 1

Panel thickness 16 - 26 mm.
 The drawing "Installation of the control knob" must be observed if the panel is more than 26 mm thick (there must be a recess at the rear).
 A minimum lateral clearance of at least 100 mm from adjacent heat-sensitive furniture or from the wall must be observed.
 Appliance can be snapped into the worktop from above.
 Appliance weight: approx. 26.

Connection
 Total connected load 3.0 KW.
 Plan a connection cable.

Color Variants

VR414110
Stainless steel
Width 38 cm

Included accessories

1 x cast pan, half size.
 1 x grease drip tray.
 2 x cast iron grill.
 1 x lava stones.
 1 x cleaning brush.

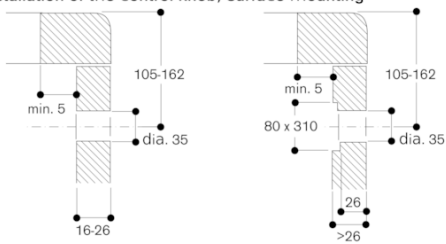
Optional accessories

VA461001
Cast pan, enamelled, full size

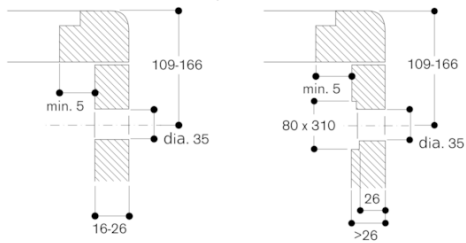
Installation Accessories

VA420000
Connection strip for combination with other Vario appliances of the 400 series for flush installation
VA420010
Connection strip for combination with other Vario appliances of the 400 series for surface installation
VA440010
Stainless steel appliance cover with mounting strip

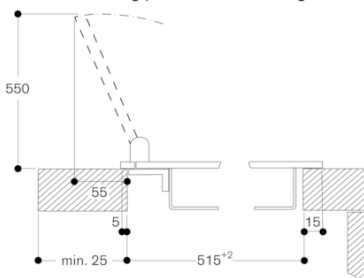
Installation of the control knob; surface mounting



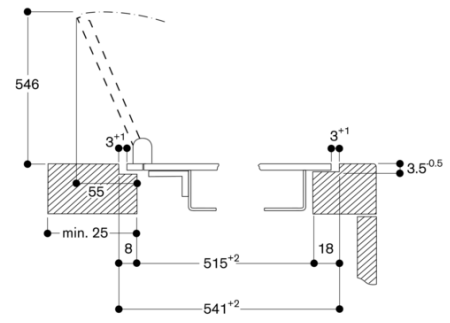
Installation of the control knob; flush installation



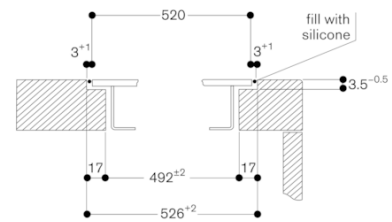
Installation with appliance cover/spacer batten;
 installation standing proud of surrounding surfaces



Installation with appliance cover/spacer batten;
 installation flush with surrounding surfaces

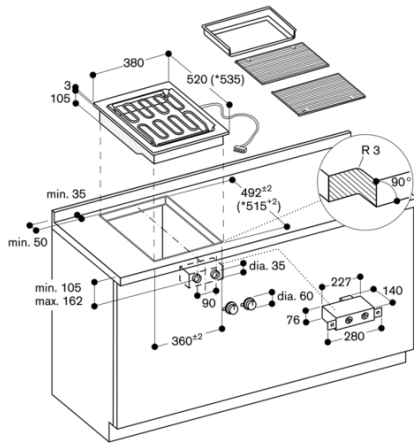
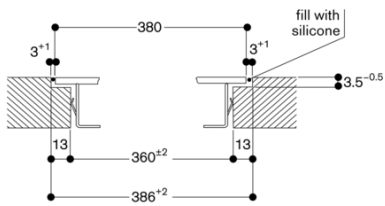


Cross-section

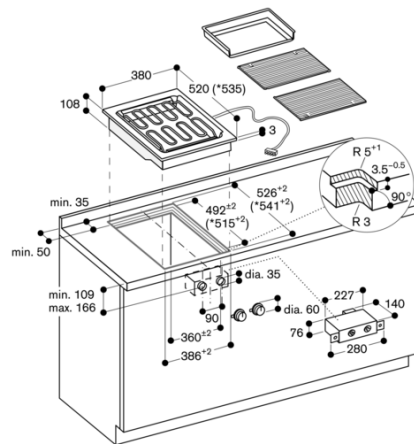


When installing with appliance cover or filler strip, pay attention to the deeper cut-out and the front and rear groove width.

Longitudinal section



* with appliance cover
 measurements in mm



* with appliance cover
 measurements in mm