



AC200180
Canopy extractor 200 series
Stainless steel and glass
Width 70 cm
Air extraction / Air recirculation

Can be integrated invisibly in upper cabinet
 Energy-saving, low-noise fan
 Rim extraction with flat and easy-to-clean glass underside
 Dimmable, neutral white LED light for ideal illumination of the cooktop
 Air extraction or air recirculation system
 Energy efficiency class A

Output

Performance and noise level, output level 3/Intensive:
 Air output according to EN 61591.
 Sound power level according to EN 60704-3.
 Sound pressure level according to EN 60704-2-13.
 Odour reduction for air recirculation in accordance with EN 61591.
 Air extraction:
 575 / 775 m³/h.
 65 / 72 dB (A) re 1 pW.
 51 / 58 dB (A) re 20 µPa.
 Air recirculation:
 570 / 740 m³/h.
 73 / 78 dB (A) re 1 pW.
 59 / 64 dB (A) re 20 µPa.
 Odour reduction air recirculation 93 %.

Features

3 electronically controlled power levels and 1 intensive mode.
 Remote control is available as a special accessory.
 Interval ventilation, 6 min.
 Run-on function, 6 min.
 Grease filter saturation indicator.
 Metal grease filter, dishwasher-safe.
 Glas filter cover.
 Neutral white LED light (4000 K), dimmable.
 Lamp output 2 x 1 W.
 Illuminance 244 lx.
 Fan technology with highly efficient, brushless DC motor (BLDC).

Consumption data

Energy efficiency class A at a range of energy efficiency classes from A++ to E.
 Energy consumption 46.6 kWh/year.
 Ventilation efficiency class A.
 Illumination efficiency class A.
 Grease filter efficiency class D.
 Sound level min. 42 dB / max. 65 dB normal mode.

Planning notes

Patented air recirculation module with activated charcoal filter can be installed in the upper cabinet. The activated carbon filter can be changed from the front by simply pulling out the filter drawer.
 The door of the upper cabinet must be fully open in order to change the activated charcoal filter.
 Can be integrated invisibly in upper cabinet.
 Vario cooktops with intensive production of vapours like VR/VP should be placed in the middle beneath the hood (in this case air recirculation is not recommended).
 Clearance above gas appliances min. 65 cm (more than total load gas 12 kW min. 70 cm).

Color Variants

AC200180
 Stainless steel and glass
 Width 70 cm

Optional accessories

AA200510
 Remote control for canopy extractor AC200
 AA210110
 1 activated charcoal filter with high efficient odour reduction due to increased surface. For air recirculation module AA 211 812.
 AA211812
 Patented air recirculation module including 1 activated charcoal filter with high efficient odour reduction due to increased surface

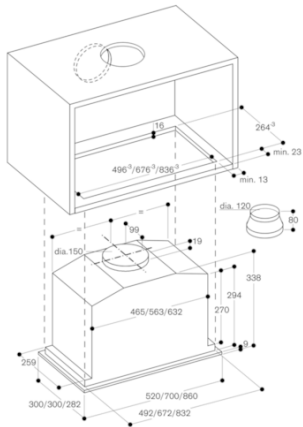
Characteristics
Product name/family
Color chimney
Typology Traditional
Approval certificates CE, Eurasian, G-Mark, Ukraine, VDE
Length electrical supply cord (cm) 100
Required niche size for installation (HxWxD) 418mm x 676mm x 264mm
Height of the chimney (mm)
Height of product, without chimney (mm)
Net weight (kg) 10.734
Type of control Electronic
Number of speed settings
Maximum output air extraction (m³/h) 575
Boost position output recirculating (m³/h) 740
Maximum output recirculating air (m³/h) 570
Boost position air extraction (m³/h) 775
Number of lights 2
Noise level (dB) 65
Diameter of air outlet (mm) 120 / 150
Grease filter material Washable aluminium
Odour filter No
Operating Mode Convertible
Delay Shut off modes 6M
Required accessories
Optional accessories AA200510, AA210110, AA211812
Type of lamps used LED
Total power of the lamps (W) 2
Grease filter type Kassette
Clean filter reminders
Consumption and connection features
Connection Rating (W) 272
Current (A) 3
Voltage (V) 220-240
Frequency (Hz) 50
Plug type Gardy plug w/ earthing
Installation typology Built-in
Universal Product Code
Material body Stainless steel
Approval certificates CE, Eurasian, G-Mark, Ukraine, VDE
Length of electrical supply cord (in)
Plug type Gardy plug w/ earthing
Dimensions of the product, with chimney (if exists) (in) / x x
Dimensions of the packed product (in) 14.68 x 34.05 x 18.30
Height of the chimney (in)
Vertical rise height
Required distance above cooktop/ranges
Net weight (lbs) 24
Gross weight (lbs) 32
Motor location Integrated motor in hood body

Clearance above electric appliances min. 50 cm.
 When installing a ventilation hood with air extraction mode and a chimney-vented fireplace, the power supply line of the ventilation appliance needs a suitable safety switch.

Connection

Total connected load 272 W.
 Connecting cable 1.0 m with plug.

AC200180
Canopy extractor 200 series
Stainless steel and glass
Width 70 cm
Air extraction / Air recirculation
2019-11-09
Page 2



View of upper cabinet from above with AC 200 and AA 211 812

