



<b>AC200190</b>
<b>Canopy extractor 200 series</b>
<b>Stainless steel and glass</b>
<b>Width 86 cm</b>
<b>Air extraction / Air recirculation</b>

Can be integrated invisibly in upper cabinet  
 Energy-saving, low-noise fan  
 Rim extraction with flat and easy-to-clean glass underside  
 Dimmable, neutral white LED light for ideal illumination of the cooktop  
 Air extraction or air recirculation system  
 Energy efficiency class A

#### Output

Performance and noise level, output level 3/Intensive:  
 Air output according to EN 61591.  
 Sound power level according to EN 60704-3.  
 Sound pressure level according to EN 60704-2-13.  
 Odour reduction for air recirculation in accordance with EN 61591.  
 Air extraction:  
 610 / 820 m<sup>3</sup>/h.  
 64 / 71 dB (A) re 1 pW.  
 50 / 57 dB (A) re 20 µPa.  
 Air recirculation:  
 610 / 790 m<sup>3</sup>/h.  
 72 / 77 dB (A) re 1 pW.  
 58 / 63 dB (A) re 20 µPa.  
 Odour reduction air recirculation 94 %.

#### Features

3 electronically controlled power levels and 1 intensive mode.  
 Remote control is available as a special accessory.  
 Interval ventilation, 6 min.  
 Run-on function, 6 min.  
 Grease filter saturation indicator.  
 Metal grease filter, dishwasher-safe.  
 Glas filter cover.  
 Neutral white LED light (4000 K), dimmable.  
 Lamp output 2 x 1 W.  
 Illuminance 266 lx.  
 Fan technology with highly efficient, brushless DC motor (BLDC).

#### Consumption data

Energy efficiency class A at a range of energy efficiency classes from A++ to E.  
 Energy consumption 50.2 kWh/year.  
 Ventilation efficiency class A.  
 Illumination efficiency class A.  
 Grease filter efficiency class D.  
 Sound level min. 41 dB / max. 64 dB normal mode.

#### Planning notes

Patented air recirculation module with activated charcoal filter can be installed in the upper cabinet. The activated carbon filter can be changed from the front by simply pulling out the filter drawer.  
 The door of the upper cabinet must be fully open in order to change the activated charcoal filter.  
 Can be integrated invisibly in upper cabinet.  
 Vario cooktops with intensive production of vapours like VR/VP should be placed in the middle beneath the hood (in this case air recirculation is not recommended).  
 Clearance above gas appliances min. 65 cm (more than total load gas 12 kW min. 70 cm).

<b>Characteristics</b>
<b>Product name/family</b>
<b>Color chimney</b>
<b>Typology</b> Traditional
<b>Approval certificates</b> CE, Eurasian, G-Mark, Ukraine, VDE
<b>Length electrical supply cord (cm)</b> 100
<b>Required niche size for installation (HxWxD)</b> 418mm x 836mm x 264mm
<b>Height of the chimney (mm)</b>
<b>Height of product, without chimney (mm)</b>
<b>Net weight (kg)</b> 8.861
<b>Type of control</b> Electronic
<b>Number of speed settings</b>
<b>Maximum output air extraction (m<sup>3</sup>/h)</b> 610
<b>Boost position output recirculating (m<sup>3</sup>/h)</b> 790
<b>Maximum output recirculating air (m<sup>3</sup>/h)</b> 610
<b>Boost position air extraction (m<sup>3</sup>/h)</b> 820
<b>Number of lights</b> 2
<b>Noise level (dB)</b> 64
<b>Diameter of air outlet (mm)</b> 150 / 120
<b>Grease filter material</b> Washable aluminium
<b>Odour filter</b> No
<b>Operating Mode</b> Convertible
<b>Delay Shut off modes</b> 6M
<b>Required accessories</b>
<b>Optional accessories</b> AA200510, AA210110, AA211812
<b>Type of lamps used</b> LED
<b>Total power of the lamps (W)</b> 2
<b>Grease filter type</b> Kassette
<b>Clean filter reminders</b>
<b>Consumption and connection features</b>
<b>Connection Rating (W)</b> 272
<b>Current (A)</b> 3
<b>Voltage (V)</b> 220-240
<b>Frequency (Hz)</b> 50
<b>Plug type</b> Gardy plug w/ earthing
<b>Installation typology</b> Built-in
<b>Universal Product Code</b>
<b>Material body</b> Stainless steel
<b>Approval certificates</b> CE, Eurasian, G-Mark, Ukraine, VDE
<b>Length of electrical supply cord (in)</b>
<b>Plug type</b> Gardy plug w/ earthing
<b>Dimensions of the product, with chimney (if exists) (in)</b> / x x
<b>Dimensions of the packed product (in)</b> 15.74 x 25.19 x 18.89
<b>Height of the chimney (in)</b>
<b>Vertical rise height</b>
<b>Required distance above cooktop/ranges</b>
<b>Net weight (lbs)</b> 20
<b>Gross weight (lbs)</b> 29
<b>Motor location</b> Integrated motor in hood body

Clearance above electric appliances min. 50 cm.  
 When installing a ventilation hood with air extraction mode and a chimney-vented fireplace, the power supply line of the ventilation appliance needs a suitable safety switch.

#### Connection

Total connected load 272 W.  
 Connecting cable 1.0 m with plug.

#### Color Variants

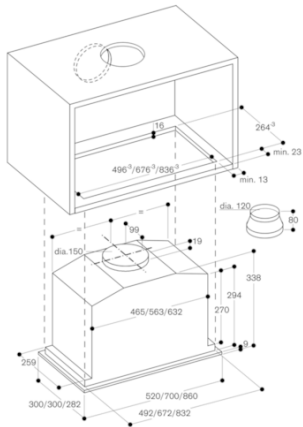
AC200190  
 Stainless steel and glass  
 Width 86 cm

#### Optional accessories

AA200510  
 Remote control for canopy extractor AC200  
 AA210110  
 1 activated charcoal filter with high efficient odour reduction due to increased surface. For air recirculation module AA 211 812.  
 AA211812  
 Patented air recirculation module including 1 activated charcoal filter with high efficient odour reduction due to increased surface

AC200190  
Canopy extractor 200 series  
Stainless steel and glass  
Width 86 cm  
Air extraction / Air recirculation

2019-11-14  
Page 2



View of upper cabinet from above with AC 200 and AA 211 812

