



AC270101

**AA200121:**

Active charcoal filter f. AC230/AC270101

**AA200122:**

Activated charcoal filter regenerative

**Ceiling ventilation 200 series**

105 cm, Black

AC270101

Height adjustable ceiling ventilation, when not in use it can be completely lifted onto the ceiling or integrated in the ceiling

Precision crafted, solid aluminium design

Energy-saving, low-noise fan

Rim extraction

Function for automatic, sensor-controlled power adjustment depending on the build-up of cooking vapours

Easy installation on the ceiling with provided ceiling mounting plate

Easy maintenance of the filters

Dimmable, neutral white LED light for ideal illumination of the cooktop

**Output**

Performance and noise level, output level 3/Intensive:

Air output according to EN 61591. Sound power level according to EN 60704-3.

Air recirculation:

515 / 697m<sup>3</sup>/h.

67 / 74 dB (A) re 1 pW.

**Features**

3 electronically controlled power levels and 1 intensive mode.

Remote control is included in delivery.

Automatic function with sensor-controlled run-on function.

Interval ventilation, 6 min.

Grease filter saturation indicator.

Activated charcoal filter saturation indicator.

3 metal grease filters, dishwasher-safe.

3 activated charcoal filters.

Highly efficient odour reduction for cooking applications with complex odour molecules (e.g. fish and seafood).

The filter retains an extremely high amount of airborne pollen and deactivates allergens, which are retained by the filter.

Gaggenau Black anodized aluminium.

Fan technology with highly efficient, brushless DC motor (BLDC).

Easy mounting system for simple installation and alignment.

Neutral white LED light (3500 K), continuously dimmable.

Light colour in different white tones (2700 - 5000 K) can be adjusted via Home Connect.

Lamp output 6 x FM5-02\_LED\_3W.

Illuminance 1156 lx continuously dimmable.

**Selected digital services (Gaggenau Home Connect)**

Cooktop-based ventilation control (with suitable cooktop).

Remote control and monitoring.

Remote diagnostics.

Home network integration for digital services (Home Connect) wireless via WiFi.

The use of the Home Connect functionality depends on the Home Connect services, which are not available in every country. For further information please check: [home-connect.com](http://home-connect.com).

**Planning notes**

Installation directly on the ceiling with provided

ceiling mounting plate.

Recommended ceiling height up to 3.50 m.

The ceiling ventilation has to be handled as a room ventilation when distance to cooktop is larger than 120 cm since the direct capture of vapours will be limited.

A suitable load-bearing substructure is required for securing the hood. Never fit the appliance directly onto plasterboard or similar lightweight construction materials.

Clearance above gas appliances min. 70 cm (more than total load gas 12 kW min. 75 cm).

Clearance above electric appliances min. 70 cm.

Air recirculation is not recommended in combination with Vario electric grill.

Appliance weight: approx. 67 kg.

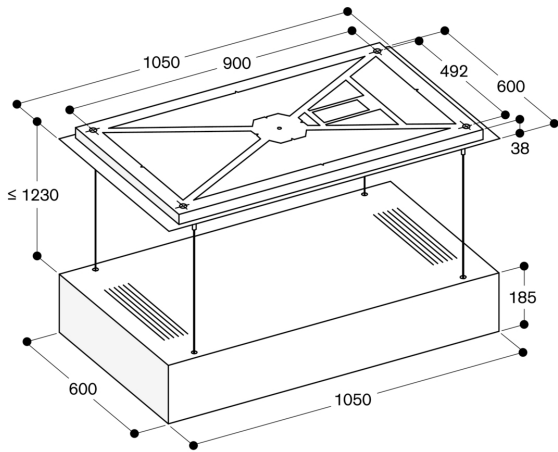
**Connection**

Total connected load 250 W.

Plan a connection cable.

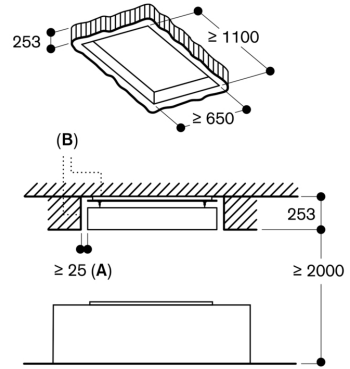
Power consumption standby/display off 0.4 W.

Please check the user manual for how to switch off the WiFi module.



meaSUREMENTS in mm

Flush integration in the ceiling



- A: ≥ 25 mm all around
- B: Depending on the cooking method, residual moisture may escape from the ceiling ventilation even after use. For preventive purposes, we recommend treating the recess in the ceiling with an anti-mould paint.

measurements in mm