



Stainless steel hood with glass cover fitting to oven 200 series  
Highly efficient vapour collection by recessed filters  
Energy-saving, low-noise fan.  
Perforated sheet metal filter with high grease absorption  
Function for automatic, sensor-controlled power adjustment depending on the build-up of cooking vapours  
Dimmable, neutral white LED light for ideal illumination of the cooktop  
Air extraction or air recirculation system

#### Output

Performance and noise level, output level 3/Intensive:  
Air output according to EN 61591.  
Sound power level according to EN 60704-3.  
Air extraction:  
642 / 988m<sup>3</sup>/h.  
64 / 72 dB (A) re 1 pW.  
Air recirculation:  
449 / 530m<sup>3</sup>/h.  
69 / 72 dB (A) re 1 pW.

#### Features

3 electronically controlled power levels and 1 intensive mode.  
Automatic function with sensor-controlled run-on function.  
Grease filter saturation indicator.  
Activated charcoal filter saturation indicator.  
Perforated sheet metal filter, dishwasher-safe.  
Interval ventilation, 6 min.  
Neutral white LED light (3500 K), continuously dimmable.  
Light colour in different white tones (2700 - 5000 K) can be adjusted via Gaggenau Home Connect.  
Lamp output 4 x 3 W.  
Illuminance 650 lx continuously dimmable.  
Fan technology with highly efficient, brushless DC motor (BLDC).  
Airflow-optimised vapour collection area with slightly inward facing filters.  
The package includes an one-way flap.  
Easy mounting system for simple installation and alignment.

#### Selected digital services (Gaggenau Home Connect)

Cooktop-based ventilation control (with suitable cooktop).  
Remote control and monitoring.  
Remote diagnostics.  
Home network integration for digital services (Home Connect) wireless via WiFi.  
The use of the Home Connect functionality depends on the Home Connect services, which are not available in every country. For further information please check: home-connect.com.

#### Consumption data

Energy efficiency class A at a range of energy efficiency classes from A+++ to D.  
Energy consumption 49.5 kWh/year.  
Ventilation efficiency class A.  
Illumination efficiency class A.  
Grease filter efficiency class B.  
Sound level min. 43 dB / max. 64 dB normal mode.

#### Color Variants

AI240191

#### Optional accessories

AA200816

#### Installation Accessories

AD200326

AD223346

#### Characteristics

Product name/family

Color chimney

Stainless steel

Typology

Island/Ceiling

Length electrical supply cord

130

Required niche size for installation

(HxWxD)

Height of the chimney

664-844/744-964

Height of product, without chimney

80

Net weight

30.8

Type of control

Electronic

Number of speed settings

3-stages + intensive setting

Maximum output air extraction

642

Boost position output recirculating

561

Maximum output recirculating air

462

Boost position air extraction

988

Number of lights

4

Noise level

64

Diameter of air outlet

120 / 150

Grease filter material

Washable stainless steel

Odour filter

No

Operating Mode

Convertible

Required accessories

Optional accessories

AA200110, AA200112, AA200816

Type of lamps used

Not applicable

Total power of the lamps

Grease filter type

Kassette

Clean filter reminders

Yes

Connection Rating

272

Fuse protection

10

Voltage

220-240

Frequency

60; 50

Plug type

Gardy plug w/ earthing

Installation typology

Island

Universal Product Code

Material body

Stainless steel

Length of electrical supply cord (in)

Plug type

Gardy plug w/ earthing

Dimensions of the product, with chimney (if exists) (in)

x x

Dimensions of the packed product

33.07 x 24.01 x 40.94

Height of the chimney (in)

Vertical rise height

Required distance above cooktop/ranges

Net weight

68.000

Gross weight

91.000

Motor location

Integrated motor in hood chimney

Maximum output recirculating air

Diameter of air duct (in) top

Diameter of air duct (in) back

Discharge direction

No-return airflow flap

Yes

Length electrical supply cord

130

Dimensions of the product, with

## Planning notes

The equivalent ducting length to ensure good performance is Lmax 23 m.

The package includes the mounting kit and the two-part chimney with the dimensions from 664 mm to 844 mm. Individual planning solutions can be implemented using the special accessory chimney extension AD 200 326 in combination with extension for mounting kit AD 223 346.

Clearance above gas appliances min. 65 cm (more than total load gas 12 kW min. 70 cm).

Clearance above electric appliances min. 55 cm.

For air recirculation an external air recirculation module is required. The air recirculation module with activated charcoal filter can be installed on the inner chimney.

When installing a ventilation hood with air extraction mode and a chimney-vented fireplace, the power supply line of the ventilation appliance needs a suitable safety switch.

#### Connection

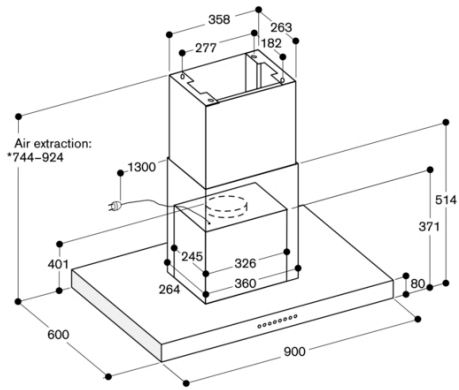
Total connected load 272 W.

Connecting cable 1.3 m with plug.

Power consumption standby/display off 0.5 W.

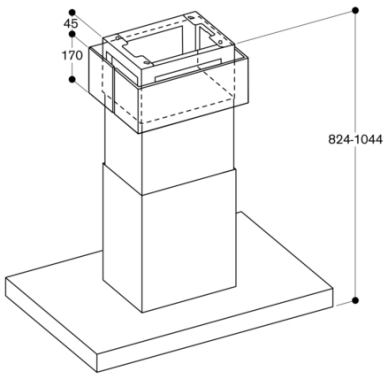
Please check the user manual for how to switch off the WiFi module.

# GAGGENAU



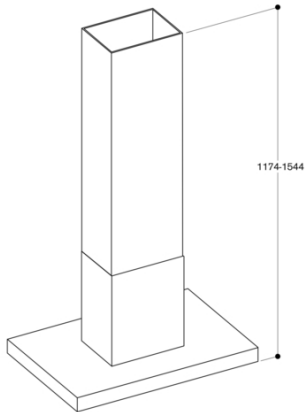
\* Suitable for ceiling heights from 2.34 m to 2.52 m;  
Specifications refer to the distance of 1.60 m from  
the floor to the lower edge of the hood.

AI 240 with AA 200 816



\* Suitable for ceiling heights from 2.42 m to 2.64 m;  
Specifications refer to the distance of 1.60 m from  
the floor to the lower edge of the hood.

AI 240 with AD 200 326 and AD 223 346



\* Suitable for ceiling heights from 2.78 m to 3.15 m;  
Specifications refer to the distance of 1.60 m from the  
floor to the lower edge of the hood.