



AL400121
Table ventilation 400 series
stainless steel
Width 120 cm
Air extraction / Air recirculation
Motorless



Extendable table ventilation, when not in use can be completely lowered into the worktop

Can be combined perfectly with other Vario appliances of the 400 series
Dimmable, neutral white surface
LED light for ideal illumination of the cooktop

Precision crafted 3 mm stainless steel
For surface mounting with a visible edge or for flush mounting
Motorless, can be combined with Gaggenau BLDC remote fan units

Output

Power levels depend on the remote fan unit.

Features

3 electronically controlled power levels and 1 intensive mode.

Interval ventilation, 6 min.
Run-on function, 6 min.

Grease filter saturation indicator.
Cartridge-type filter, dishwasher-safe.
Neutral white surface LED light (3600 K), continuously dimmable.
Lamp output 4 x 5 W.
Illuminance 191 lx.

Spare covers for closing air outlets.

No connecting piece included.
Consumption data is referred to a configuration with the remote fan unit AR 400 142.

Energy efficiency class A at a range of energy efficiency classes from A+++ to D.

Energy consumption 42.6 kWh/year.
Ventilation efficiency class A.
Illumination efficiency class E.
Grease filter efficiency class C.
Sound level min. 44 dB / max. 59 dB normal mode.

Planning notes

Refer to the table on page XX for the matching remote fan units for air recirculation or air extraction mode. Secure the control unit to the side panel of the cabinet, not to the base of the cabinet or the kitchen floor. Connection to the respective appliances via network cable. For operation with 4 Vario 200 series cooktops, 3 Vario 400 series cooktops or a cooktop configuration of up to 120 cm wide.

Operation of Vario cooking appliances only possible without appliance cover. Max. output of cooktops 18 kW. Installation is possible in worktops made of stone, synthetics or solid wood. Heat resistance and watertight sealing of the cut edges must be observed. Concerning other materials please consult the worktop manufacturer.

The remaining surface of the worktop (min. 50 mm) between the cut-outs must be reinforced with a support. It is recommended to use furniture support AA 409 401/431.

Ovens that do not exceed the maximum allowed cabinet temperature can be combined with the table ventilation if built-in situation permits.

To avoid smoke when frying/grilling refer to the manuals of VR/VP.

Characteristics

Product name/family
Color chimney
Typology Downdraft
Approval certificates Australia Standards, CE, Eurasian, G-Mark, VDE
Length electrical supply cord 170
Required niche size for installation (HxWxD) 540mm x 1140.0mm x 122mm
Height of the chimney
Height of product, without chimney 540
Net weight 40.5
Type of control Electronic
Number of speed settings
Maximum output air extraction 620
Boost position output recirculating
Maximum output recirculating air 580
Boost position air extraction
Number of lights 4
Noise level 59
Diameter of air outlet
Grease filter material Washable stainless steel
Odour filter No
Operating Mode Convertible
Delay Shut off modes 6
Required accessories
Optional accessories AA400510
Type of lamps used LED
Total power of the lamps 20
Grease filter type Kassette
Clean filter reminders
Connection rating 65
Fuse protection 10
Voltage 230
Frequency 60; 50
Plug type CH plug w/ earthing, Gardy plug w/ earthing, GB plug
Installation typology Built-in
Universal Product Code 825225913689
Material body Stainless steel
Approval certificates Australia Standards, CE, Eurasian, G-Mark, VDE
Length of electrical supply cord (in)
Plug type CH plug w/ earthing, Gardy plug w/ earthing, GB plug
Dimensions of the product, with chimney (if exists) (in) / x x
Dimensions of the packed product 14.96 x 25.19 x 51.18
Height of the chimney (in)
Vertical rise height
Required distance above cooktop/ranges
Net weight 89.000
Gross weight 104.000
Motor location External motor
Maximum output recirculating air
Diameter of air duct (in) top
Diameter of air duct (in) back

When installing a ventilation hood with air extraction mode and a chimney-vented fireplace, the power supply line of the ventilation appliance needs a suitable safety switch.

Connection

Total connected load 65 W.
Connecting cable 1.7 m with plug.
Network cable 1.2 m.

Color Variants

AL400121
stainless steel
Width 120 cm

Optional accessories

AA400510
Window contact switch

Required installation accessories

AD754045
Connection piece for 2 aluflex pipes DN 150 round
AD854043
Connecting piece for 2 flat ducts DN 150
AD854045
Connecting piece for 2 flat ducts DN 150

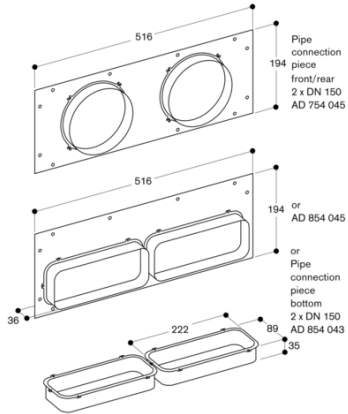
Installation Accessories

AA010410
Air exhaust grille air recirculation
AA409431
Furniture support for table ventilation AL 400 120 cm
AD704048
Air collector box DN 150 round pipe
AD704049
Air collector box DN 150 flat duct

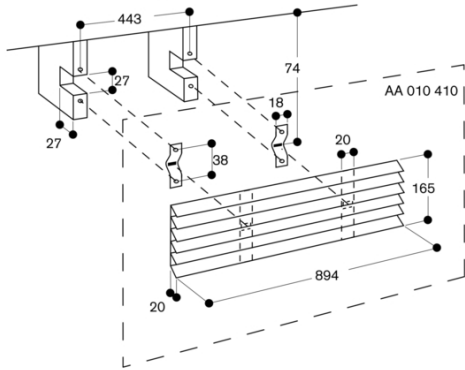
GAGGENAU

AL400121
 Table ventilation 400 series
 stainless steel
 Width 120 cm
 Air extraction / Air recirculation
 Motorless
 2022-02-17
 Page 2

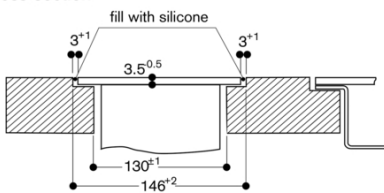
AD 754/854 045 and AD 854 043



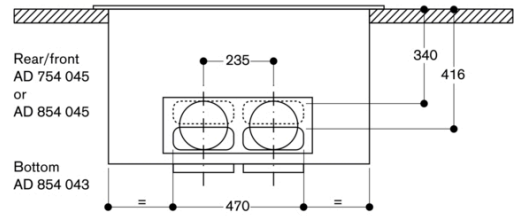
AA 010 410 air exhaust grille



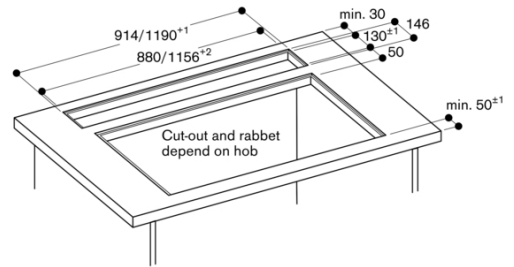
Cross-section



AL 400 connection positions DN 150



AL 400 installed flush



AL 400 cut-out flush-mounted

