



<b>AL400191</b>
<b>Table ventilation 400 series</b>
<b>stainless steel</b>
<b>Width 90 cm</b>
<b>Air extraction / Air recirculation</b>
<b>Motorless</b>



Extendable table ventilation, when not in use can be completely lowered into the worktop

Can be combined perfectly with other Vario appliances of the 400 series  
Dimmable, neutral white surface  
LED light for ideal illumination of the cooktop

Precision crafted 3 mm stainless steel  
For surface mounting with a visible edge or for flush mounting  
Motorless, can be combined with Gaggenau BLDC remote fan units

#### Output

Power levels depend on the remote fan unit.

#### Features

3 electronically controlled power levels and 1 intensive mode.  
Interval ventilation, 6 min.  
Run-on function, 6 min.  
Grease filter saturation indicator.  
Cartridge-type filter, dishwasher-safe.  
Neutral white surface LED light (3600 K), continuously dimmable.  
Lamp output 4 x 5 W.  
Illuminance 191 lx.  
Spare covers for closing air outlets.  
No connecting piece included.

#### Consumption data

Consumption data is referred to a configuration with the remote fan unit AR 400 142.  
Energy efficiency class A at a range of energy efficiency classes from A+++ to D.  
Energy consumption 45.5 kWh/year.  
Ventilation efficiency class A.  
Illumination efficiency class E.  
Grease filter efficiency class C.  
Sound level min. 45 dB / max. 61 dB normal mode.

#### Planning notes

Refer to the table on page XX for the matching remote fan units for air recirculation or air extraction mode.  
Secure the control unit to the side panel of the cabinet, not to the base of the cabinet or the kitchen floor.  
Connection to the respective appliances via network cable.  
For operation with 3 Vario 200 series cooktops, 2 Vario 400 series cooktops or a cooktop configuration of up to 92 cm wide.

Operation of Vario cooking appliances only possible without appliance cover.  
Max. output of cooktops 18 kW.  
Installation is possible in worktops made of stone, synthetics or solid wood. Heat resistance and watertight sealing of the cut edges must be observed. Concerning other materials please consult the worktop manufacturer.

The remaining surface of the worktop (min. 50 mm) between the cut-outs must be reinforced with a support. It is recommended to use furniture support AA 409 401/431.  
Ovens that do not exceed the maximum allowed cabinet temperature can be combined with the table ventilation if built-in situation permits.  
To avoid smoke when frying/grilling refer to the manuals of VR/VP.

#### Color Variants

**AL400191**  
stainless steel  
Width 90 cm

#### Optional accessories

**AA400510**  
Window contact switch

#### Required installation accessories

**AD754045**  
Connection piece for 2 aluflex pipes DN 150 round  
**AD854043**  
Connecting piece for 2 flat ducts DN 150  
**AD854045**  
Connecting piece for 2 flat ducts DN 150

#### Installation Accessories

**AA010410**  
Air exhaust grille air recirculation  
**AA409401**  
Furniture support for table ventilation AL 400 90 cm  
**AD704048**  
Air collector box DN 150 round pipe  
**AD704049**  
Air collector box DN 150 flat duct

#### Characteristics

<b>Product name/family</b>
<b>Color chimney</b>
<b>Typology</b> Downdraft
<b>Approval certificates</b> Australia Standards, CE, Eurasian, G-Mark, VDE
<b>Length electrical supply cord</b> 170
<b>Required niche size for installation (HxWxD)</b> 540mm x 840.0mm x 122mm
<b>Height of the chimney</b>
<b>Height of product, without chimney</b> 540
<b>Net weight</b> 34.4
<b>Type of control</b> Electronic
<b>Number of speed settings</b>
<b>Maximum output air extraction</b> 600
<b>Boost position output recirculating</b>
<b>Maximum output recirculating air</b> 530
<b>Boost position air extraction</b>
<b>Number of lights</b> 4
<b>Noise level</b> 61
<b>Diameter of air outlet</b>
<b>Grease filter material</b> Washable stainless steel
<b>Odour filter</b> No
<b>Operating Mode</b> Convertible
<b>Delay Shut off modes</b> 6
<b>Required accessories</b>
<b>Optional accessories</b> AA400510
<b>Type of lamps used</b> LED
<b>Total power of the lamps</b> 20
<b>Grease filter type</b> Kassette
<b>Clean filter reminders</b>
<b>Connection rating</b> 65
<b>Fuse protection</b> 10
<b>Voltage</b> 230
<b>Frequency</b> 60; 50
<b>Plug type</b> CH plug w/ earthing, Gardy plug w/ earthing, GB plug
<b>Installation typology</b> Built-in
<b>Universal Product Code</b> 825225913696
<b>Material body</b> Stainless steel
<b>Approval certificates</b> Australia Standards, CE, Eurasian, G-Mark, VDE
<b>Length of electrical supply cord (in)</b>
<b>Plug type</b> CH plug w/ earthing, Gardy plug w/ earthing, GB plug
<b>Dimensions of the product, with chimney (if exists) (in)</b> / x x
<b>Dimensions of the packed product</b> 14.96 x 24.99 x 40.55
<b>Height of the chimney (in)</b>
<b>Vertical rise height</b>
<b>Required distance above cooktop/ranges</b>
<b>Net weight</b> 76.000
<b>Gross weight</b> 86.000
<b>Motor location</b> External motor
<b>Maximum output recirculating air</b>
<b>Diameter of air duct (in) top</b>
<b>Diameter of air duct (in) back</b>

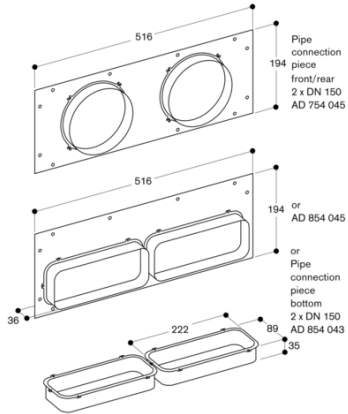
When installing a ventilation hood with air extraction mode and a chimney-vented fireplace, the power supply line of the ventilation appliance needs a suitable safety switch.

#### Connection

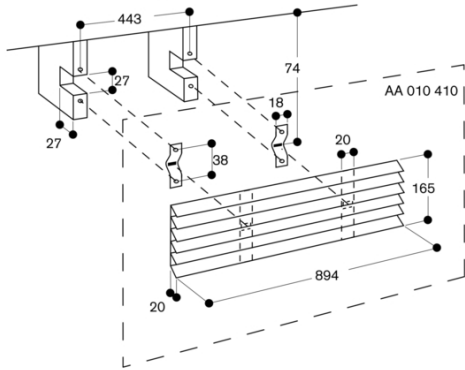
Total connected load 65 W.  
Connecting cable 1.7 m with plug.  
Network cable 1.2 m.

AL400191  
 Table ventilation 400 series  
 stainless steel  
 Width 90 cm  
 Air extraction / Air recirculation  
 Motorless  
 2022-02-17  
 Page 2

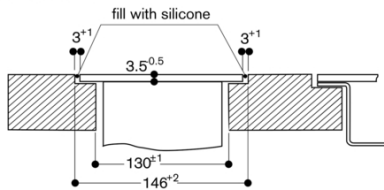
AD 754/854 045 and AD 854 043



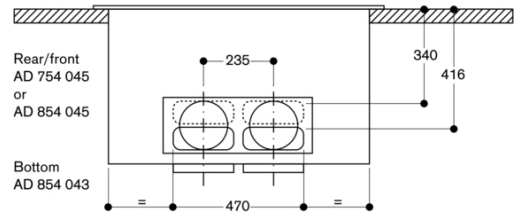
AA 010 410 air exhaust grille



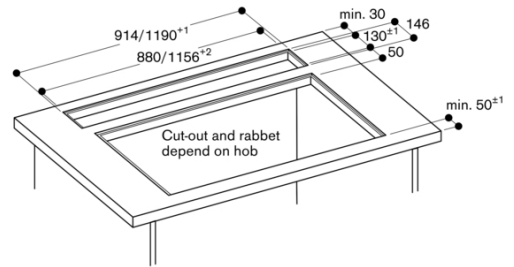
Cross-section



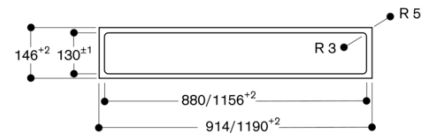
AL 400 connection positions DN 150



AL 400 installed flush

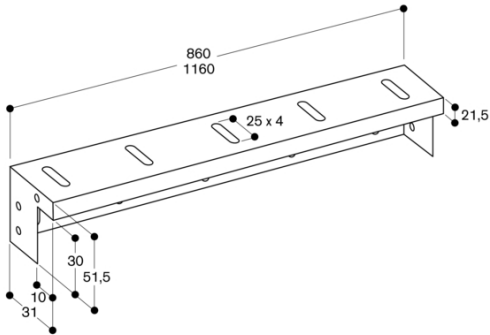


AL 400 cut-out flush-mounted

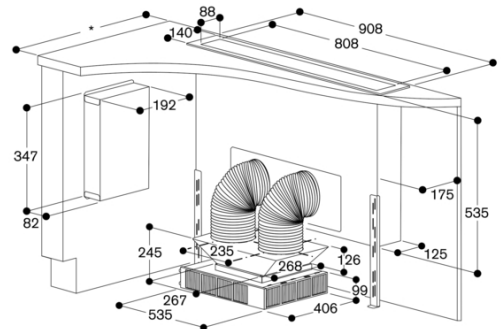
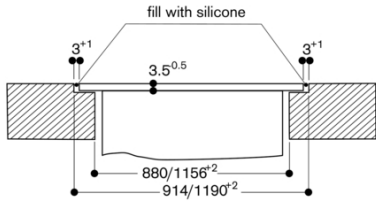


AL400191  
 Table ventilation 400 series  
 stainless steel  
 Width 90 cm  
 Air extraction / Air recirculation  
 Motorless  
 2022-02-17  
 Page 3

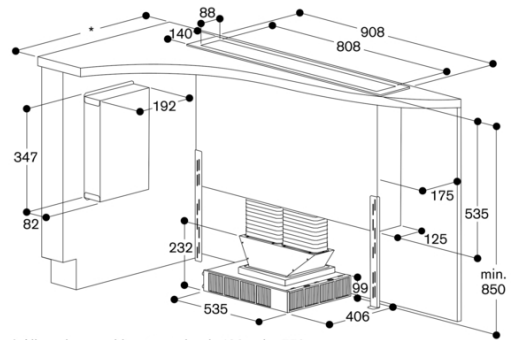
AA 409 401/431 furniture support



Longitudinal section

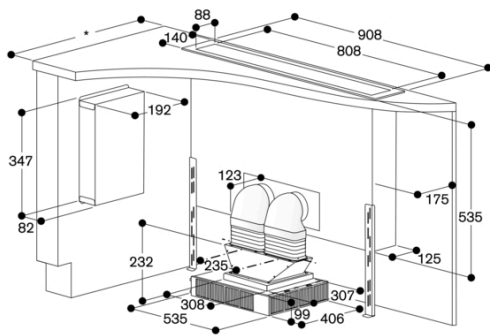
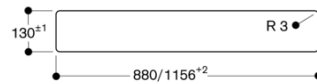


\* All cooktops with cut-out depth 492: min. 750



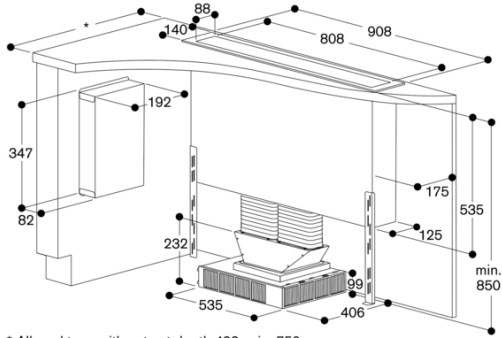
\* All cooktops with cut-out depth 492: min. 750

AL 400 cut-out for surface mounting

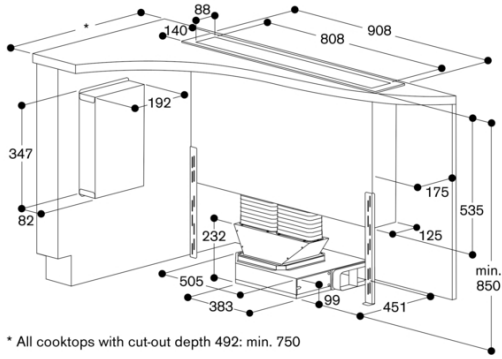


\* All cooktops with cut-out depth 492: min. 750

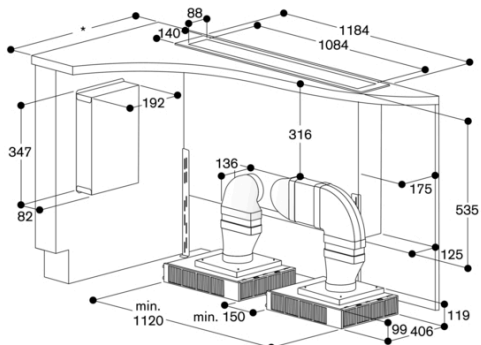
AL400191  
 Table ventilation 400 series  
 stainless steel  
 Width 90 cm  
 Air extraction / Air recirculation  
 Motorless  
 2022-02-17  
 Page 4



\* All cooktops with cut-out depth 492: min. 750

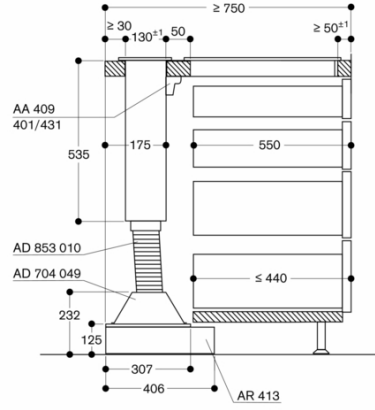


\* All cooktops with cut-out depth 492: min. 750

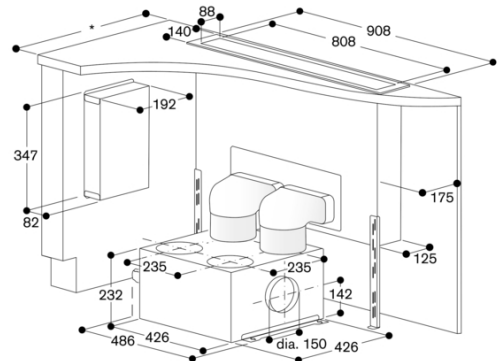


\* All cooktops with cut-out depth 492: min. 750

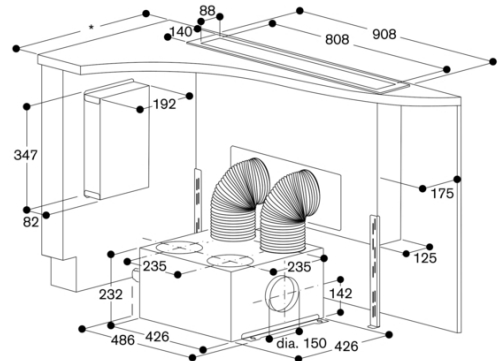
Cross-section of upper cabinet for AL 400 (without back wall) with AR 413; connection at the bottom



measurements in mm

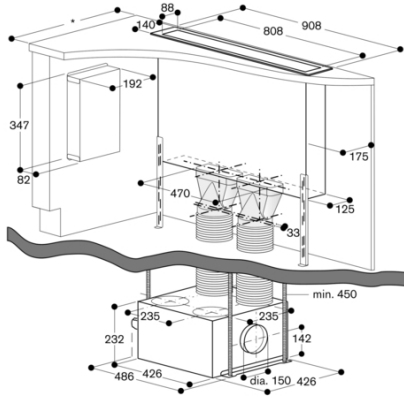


\* All cooktops with cut-out depth 492: min. 750

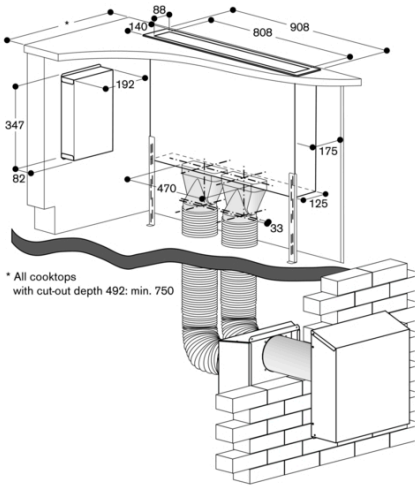


\* All cooktops with cut-out depth 492: min. 750

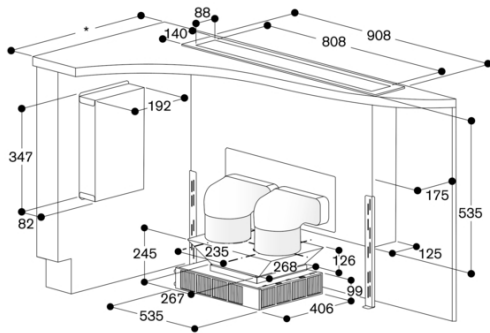
AL400191  
 Table ventilation 400 series  
 stainless steel  
 Width 90 cm  
 Air extraction / Air recirculation  
 Motorless  
 2022-02-17  
 Page 5



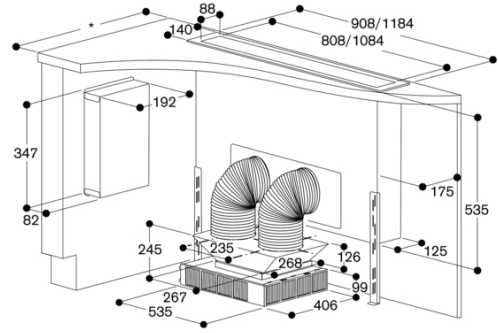
\* All cooktops with cut-out depth 492: min. 750



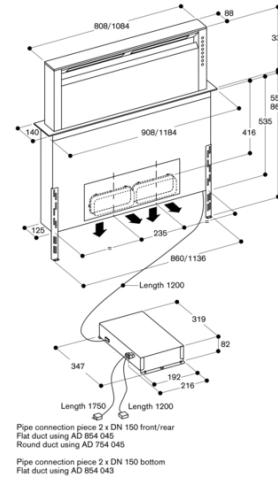
\* All cooktops with cut-out depth 492: min. 750



\* All cooktops with cut-out depth 492: min. 750



\* All cooktops with cut-out depth 492: min. 750



Pipe connection piece 2 x DN 150 front/rear  
 Flat duct using AD 854 045  
 Round duct using AD 754 045  
 Pipe connection piece 2 x DN 150 bottom  
 Flat duct using AD 854 045