



<b>AL400791</b>
<b>Table ventilation 400 series</b>
<b>stainless steel</b>
<b>Width 90 cm</b>
<b>Air extraction / Air recirculation</b>
<b>Motorless</b>

Extendable table ventilation, when not in use can be completely lowered into the worktop  
 Can be combined perfectly with other Vario appliances of the 400 series  
 Dimmable, neutral white surface  
 LED light for ideal illumination of the cooktop  
 Precision crafted 3 mm stainless steel  
 For surface mounting with a visible edge or for flush mounting  
 Motorless, can be combined with Gaggenau BLDC remote fan units

#### Color Variants

**AL400791**  
 stainless steel  
 Width 90 cm

#### Optional accessories

**AA400510**  
 Window contact switch

#### Required installation accessories

**AD754045**  
 Connection piece for 2 aluflex pipes DN 150 round

#### Installation Accessories

**AA010410**  
 Air exhaust grille air recirculation  
**AA409401**  
 Furniture support for table ventilation AL 400 90 cm  
**AD704048**  
 Air collector box DN 150 round pipe

#### Output

Power levels depend on the remote fan unit.

#### Features

3 electronically controlled power levels and 1 intensive mode.  
 Interval ventilation, 6 min.  
 Run-on function, 6 min.  
 Grease filter saturation indicator.  
 Cartridge-type filter, dishwasher-safe.  
 Neutral white surface LED light (3600 K), continuously dimmable.  
 Lamp output 4 x 5 W.  
 Illuminance 200 lx.  
 Spare covers for closing air outlets.  
 No connecting piece included.

#### Planning notes

Refer to the table on page XX for the matching remote fan units for air recirculation or air extraction mode.  
 Secure the control unit to the side panel of the cabinet, not to the base of the cabinet or the kitchen floor.  
 Connection to the respective appliances via network cable.  
 For operation with 2 appliances 400 series or a cooktop configuration of up to 92 cm wide.  
 Operation of Vario cooking appliances only possible without appliance cover.  
 Max. output of cooktops 18 kW.  
 If the remote fan unit is installed within the bottom cabinet and if combined with VK or VF ensure accessibility to the outlets.  
 Installation is possible in worktops made of stone, synthetics or solid wood. Heat resistance and watertight sealing of the cut edges must be observed. Concerning other materials please consult the worktop manufacturer.  
 The remaining surface of the worktop (min. 50 mm) between the cut-outs must be reinforced with a support. It is recommended to use furniture support AA 409 401/431.  
 Ovens that do not exceed the maximum allowed cabinet temperature can be combined with the table ventilation if built-in situation permits.  
 To avoid smoke when frying/grilling refer to the manuals of VR/VP.  
 When installing a ventilation hood with air extraction mode and a chimney-vented fireplace, the power supply line of the ventilation appliance needs a suitable safety switch.

#### Connection

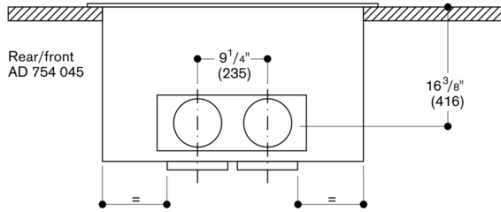
Total connected load 65 W.  
 Connecting cable 1.7 m with plug.  
 Network cable 1.2 m.

#### Characteristics

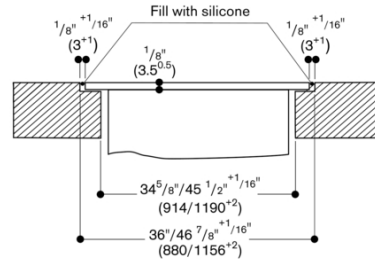
<b>Product name/family</b>
<b>Color chimney</b>
<b>Typology</b> Downdraft
<b>Approval certificates</b> CSA, ETL, UL
<b>Length electrical supply cord</b> 170
<b>Required niche size for installation (HxWxD)</b> 540mm x 840.0mm x 122mm
<b>Height of the chimney</b>
<b>Height of product, without chimney</b> 540
<b>Net weight</b> 33.4
<b>Type of control</b> Electronic
<b>Number of speed settings</b>
<b>Maximum output air extraction</b>
<b>Boost position output recirculating</b>
<b>Maximum output recirculating air</b>
<b>Boost position air extraction</b>
<b>Number of lights</b> 4
<b>Noise level</b>
<b>Diameter of air outlet</b>
<b>Grease filter material</b> Washable stainless steel
<b>Odour filter</b> No
<b>Operating Mode</b> Convertible
<b>Delay Shut off modes</b> 6
<b>Required accessories</b>
<b>Optional accessories</b> AA400510
<b>Type of lamps used</b> LED
<b>Total power of the lamps</b> 20
<b>Grease filter type</b> Kassette
<b>Clean filter reminders</b>
<b>Connection rating</b> 65
<b>Fuse protection</b> 10
<b>Voltage</b> 100-120
<b>Frequency</b> 60
<b>Plug type</b> 120V-3 prong
<b>Installation typology</b> Built-in
<b>Universal Product Code</b> 825225910251
<b>Material body</b> Stainless steel
<b>Approval certificates</b> CSA, ETL, UL
<b>Length of electrical supply cord (in)</b> 66,93
<b>Plug type</b> 120V-3 prong
<b>Dimensions of the product, with chimney (if exists) (in)</b> 21 1/4 " - 34 1/4 " / 21 1/4 " - 34 1/4 " x 35 3/4 " x 5 1/2 "
<b>Dimensions of the packed product</b> 14.96 x 24.99 x 40.55
<b>Height of the chimney (in)</b>
<b>Vertical rise height</b> 0 " - 13 "
<b>Required distance above cooktop/ranges</b>
<b>Net weight</b> 74.000
<b>Gross weight</b> 84.000
<b>Motor location</b> External motor
<b>Maximum output recirculating air</b>
<b>Diameter of air duct (in) top</b>
<b>Diameter of air duct (in) back</b> 6
<b>Discharge direction</b> horizontal

AL400791  
 Table ventilation 400 series  
 stainless steel  
 Width 90 cm  
 Air extraction / Air recirculation  
 Motorless  
 2022-02-05  
 Page 2

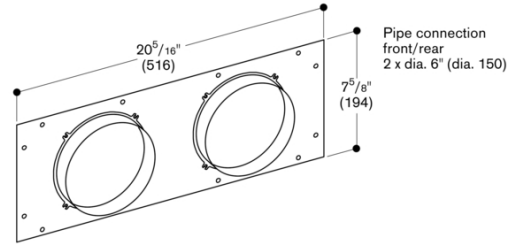
AL 400 connection positions dia. 6"



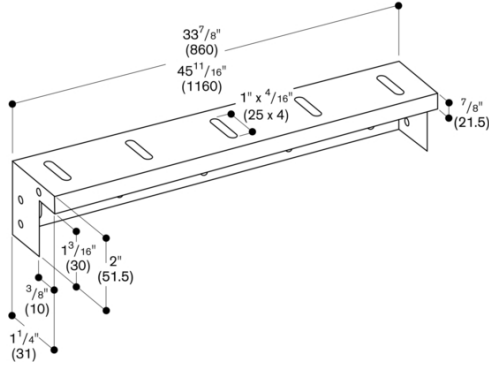
Longitudinal section



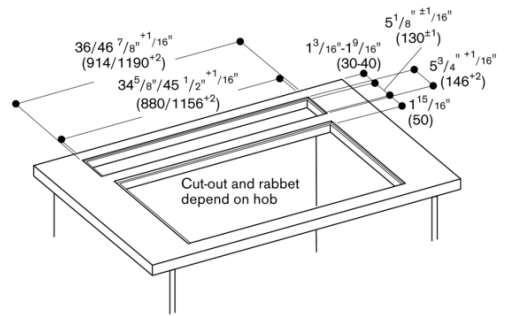
AD 754 045



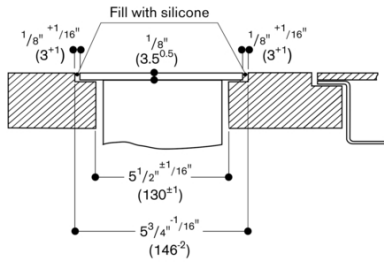
AA 409 401/431 furniture support



AL 400 installed flush



Cross-section



AL400791

Table ventilation 400 series

stainless steel

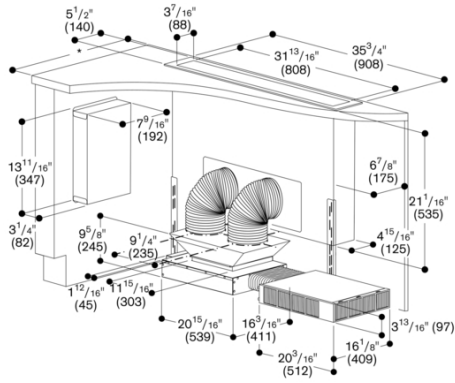
Width 90 cm

Air extraction / Air recirculation

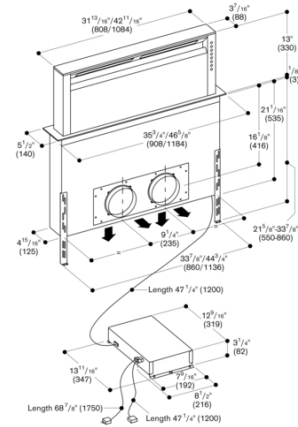
Motorless

2022-02-05

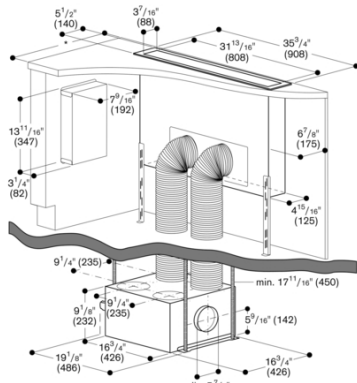
Page 3



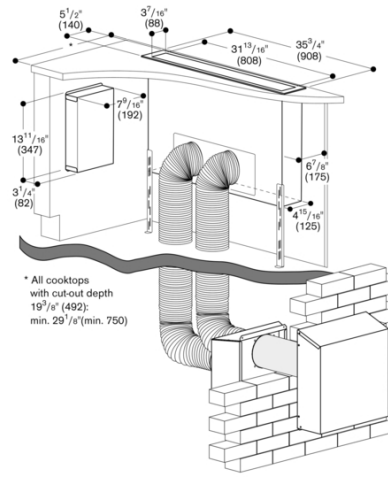
\* All cooktops with cut-out depth 19 3/8" (492); min. 29 1/8" (750)



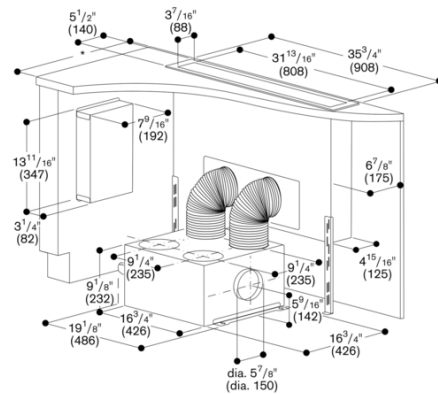
Pipe connection 2 x NW 150 front/rear  
Circular duct using AD 754 045



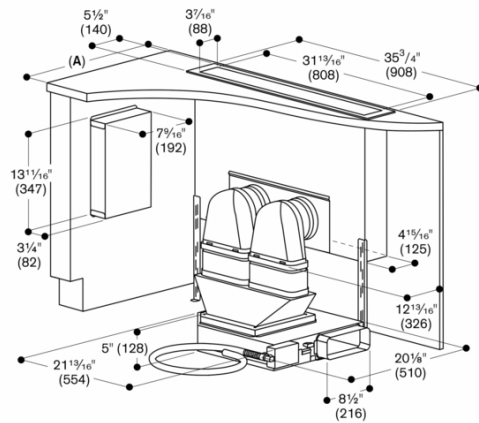
\* All cooktops with cut-out depth 19 3/8" (492); min. 29 1/8" (750)



\* All cooktops with cut-out depth 19 3/8" (492); min. 29 1/8" (750)



\* All cooktops with cut-out depth 19 3/8" (492); min. 29 1/8" (750)



A: All cooktops with cut-out depth 19 3/8" (492); min. 29 1/8" (750)  
measurements in inches (mm)