



AW240120
Wall-mounted hood 200 series
 stainless steel with stainless steel control panel
Width 120 cm
Air extraction / Air recirculation
Delivery with chimney

Timeless, elegant design
 Highly efficient extraction of cooking vapours
 Energy-saving, low-noise fan
 Patented filter technology with high grease absorption
 Rim extraction filter with flat and easy-to-clean stainless steel underside
 Function for automatic, sensor-controlled power adjustment depending on the build-up of cooking vapours
 Dimmable, neutral white LED light for ideal illumination of the whole cooktop
 Air extraction or air recirculation system
 Air recirculation module with activated charcoal filter: quiet and highly efficient air recirculation solution with odour reduction as in air extraction mode and long replacement intervals

Output

Performance and noise level, output level 3/Intensive:
 Air output according to EN 61591.
 Sound power level according to EN 60704-3.
 Sound pressure level according to EN 60704-2-13.
 Odour reduction for air recirculation in accordance with EN 61591.
 Air extraction:
 600 / 800 m³/h.
 64 / 70 dB (A) re 1 pW.
 50 / 56 dB (A) re 20 µPa.
 Air recirculation:
 400 / 460 m³/h.
 65 / 68 dB (A) re 1 pW.
 51 / 54 dB (A) re 20 µPa.
 Odour reduction air recirculation 95%.

Features

3 electronically controlled power levels and 1 intensive mode.
 Automatic function with sensor-controlled run-on function.
 Grease filter saturation indicator.
 Patented rim extraction filter, dishwasher-safe.
 Neutral white LED light (3600 K), continuously dimmable.
 Lamp output 4 x 5 W.
 Illuminance 929 lx.
 Fan technology with highly efficient, brushless DC motor (BLDC).
 Airflow-optimised interior for efficient air circulation.
 Easy mounting system for simple installation and alignment.
 The package includes an one-way flap.

Consumption data

Energy efficiency class A at a range of energy efficiency classes from A++ to E.
 Energy consumption 45.5 kWh/year.
 Ventilation efficiency class A.
 Illumination efficiency class A.
 Grease filter efficiency class B.
 Sound level min. 43 dB / max. 64 dB normal mode.

Planning notes

The package includes the two-part chimney with the dimensions from 582 mm to 884 mm. Individual planning solutions can be implemented using the special accessory chimney extension AD 200 322 or by shortening the lower edge of the inner chimney.

Characteristics

Product name/family
Color chimney
 Stainless steel
Typology
 Chimney
Approval certificates
 CE, Eurasian, G-Mark, Ukraine, VDE
Length electrical supply cord (cm)
 130
Required niche size for installation (HxWxD)
Height of the chimney (mm)
 582-884
Height of product, without chimney (mm)
 70
Net weight (kg)
 25.800
Type of control
 Electronic
Number of speed settings
Maximum output air extraction (m³/h)
 634
Boost position output recirculating (m³/h)
 460
Maximum output recirculating air (m³/h)
 400
Boost position air extraction (m³/h)
 800
Number of lights
 4
Noise level (dB)
 64
Diameter of air outlet (mm)
 120 / 150
Grease filter material
 Washable stainless steel
Odour filter
 No
Operating Mode
 Convertible
Delay Shut off modes
Required accessories
Optional accessories
 AA200110, AA200812
Type of lamps used
 LED
Total power of the lamps (W)
 20
Grease filter type
 Multilayer
Clean filter reminders

Consumption and connection features

Connection Rating (W)
 280
Current (A)
 10
Voltage (V)
 220-240
Frequency (Hz)
 50; 60
Plug type
 Gardy plug w/ earthing
Installation typology
 Wall-mounted
Universal Product Code
 825225913870
Material body
 Stainless steel
Approval certificates
 CE, Eurasian, G-Mark, Ukraine, VDE
Length of electrical supply cord (in)
Plug type
 Gardy plug w/ earthing
Dimensions of the product, with chimney (if exists) (in)
 / x x
Dimensions of the packed product (in)
 22.83 x 24.01 x 51.57
Height of the chimney (in)
Vertical rise height
Required distance above cooktop/ranges
Net weight (lbs)
 57
Gross weight (lbs)
 81

Clearance above gas appliances min. 65 cm (more than total load gas 12 kW min. 70 cm).
 Clearance above electric appliances min. 55 cm.
 The air recirculation module with activated charcoal filter can be installed on the external chimney or inner chimney.
 When installing a ventilation hood with air extraction mode and a chimney-vented fireplace, the power supply line of the ventilation appliance needs a suitable safety switch.

Connection

Total connected load 280 W.
 Connecting cable 1.3 m with plug.

Color Variants

AW240120
 stainless steel with stainless steel control panel
Width 120 cm

Optional accessories

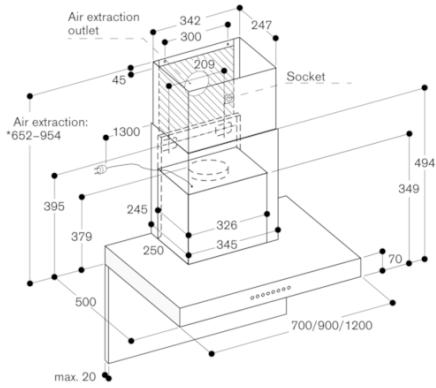
AA200110
 1 activated charcoal filter with high efficient odour reduction due to increased surface. For air recirculation module AA 200 812/816 and AA 010 811/AA 012 811.
AA200812
 Air recirculation module inclusive 1 activated charcoal filter with high efficient odour reduction due to increased surface

Installation Accessories

AD200322
 Stainless steel chimney extension
 Length: 1000 mm
AD200392
 Ceiling collar for chimneys
 Stainless steel

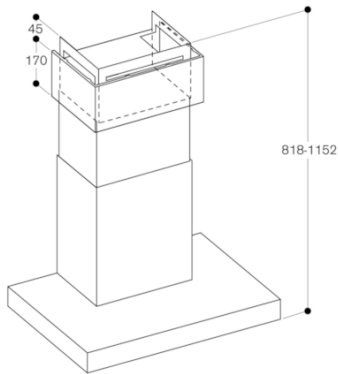
AW240120
Wall-mounted hood 200 series
stainless steel with stainless steel
control panel
Width 120 cm
Air extraction / Air recirculation
Delivery with chimney

2019-11-25
 Page 2



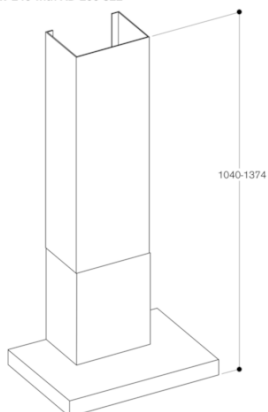
* Suitable for ceiling heights from 2.25 m to 2.55 m;
 Specifications refer to the distance of 1.60 m from the floor
 to the lower edge of the hood.

AW 240 with AA 200 812



* Suitable for ceiling heights from 2.45 m to 2.75 m;
 Specifications refer to the distance of 1.60 m from the floor
 to the lower edge of the hood.

AW 240 with AD 200 322



* Suitable for ceiling heights from 2.64 m to 2.97 m;
 Specifications refer to the distance of 1.60 m from the floor
 to the lower edge of the hood.