



Stainless steel hood with glass cover fitting to oven 200 series
Highly efficient vapour collection by recessed filters
Energy-saving, low-noise fan.
Perforated sheet metal filter with high grease absorption
Function for automatic, sensor-controlled power adjustment depending on the build-up of cooking vapours
Dimmable, neutral white LED light for ideal illumination of the cooktop
Air extraction or air recirculation system

Output

Performance and noise level, output level 3/Intensive:
Air output according to EN 61591.
Sound power level according to EN 60704-3.
Air extraction:
618 / 971m³/h.
64 / 73 dB (A) re 1 pW.
Air recirculation:
383 / 476m³/h.
69 / 74 dB (A) re 1 pW.

Features

3 electronically controlled power levels and 1 intensive mode.
Automatic function with sensor-controlled run-on function.
Grease filter saturation indicator.
Activated charcoal filter saturation indicator.
Perforated sheet metal filter, dishwasher-safe.
Interval ventilation, 6 min.
Neutral white LED light (3500 K), continuously dimmable.
Light colour in different white tones (2700 - 5000 K) can be adjusted via Gaggenau Home Connect.
Lamp output 3 x 3 W.
Illuminance 551 lx continuously dimmable.
Fan technology with highly efficient, brushless DC motor (BLDC).
Airflow-optimised vapour collection area with slightly inward facing filters.
The package includes an one-way flap.
Easy mounting system for simple installation and alignment.

Selected digital services (Gaggenau Home Connect)

Cooktop-based ventilation control (with suitable cooktop).
Remote control and monitoring.
Remote diagnostics.
Home network integration for digital services (Home Connect) wireless via WiFi.
The use of the Home Connect functionality depends on the Home Connect services, which are not available in every country. For further information please check: home-connect.com.

Consumption data

Energy efficiency class A at a range of energy efficiency classes from A+++ to D.
Energy consumption 45.1 kWh/year.
Ventilation efficiency class A.
Illumination efficiency class A.
Grease filter efficiency class B.
Sound level min. 44 dB / max. 64 dB normal mode.

Color Variants

AW240191

Optional accessories

AA200812

Characteristics

Product name/family

Color chimney

Stainless steel

Typology

Wall-mounted

Length electrical supply cord

130

Required niche size for installation (HxWxD)

572-874/738-1072

Height of the chimney

80

Net weight

19.8

Type of control

Electronic

Number of speed settings

3-stages + intensive setting

Maximum output air extraction

618

Boost position output recirculating

561

Maximum output recirculating air

462

Boost position air extraction

971

Number of lights

3

Noise level

64

Diameter of air outlet

120 / 150

Grease filter material

Washable stainless steel

Odour filter

No

Operating Mode

Convertible

Required accessories

Optional accessories

AA200110, AA200112, AA200812

Type of lamps used

Not applicable

Total power of the lamps

Grease filter type

Kassette

Clean filter reminders

Yes

Connection Rating

269

Fuse protection

10

Voltage

220-240

Frequency

60; 50

Plug type

Gardy plug w/ earthing

Installation typology

Wall-mounted

Universal Product Code

Material body

Stainless steel

Length of electrical supply cord (in)

Plug type

Gardy plug w/ earthing

Dimensions of the product, with chimney (if exists) (in)

x x

Dimensions of the packed product

23.03 x 25.59 x 38.18

Height of the chimney (in)

Vertical rise height

Required distance above cooktop/ranges

Net weight

44.000

Gross weight

58.000

Motor location

Integrated motor in hood chimney

Maximum output recirculating air

Diameter of air duct (in) top

Diameter of air duct (in) back

Discharge direction

No-return airflow flap

Yes

Length electrical supply cord

130

Dimensions of the product, with

Planning notes

The equivalent ducting length to ensure good performance is Lmax 26 m.

The package includes the two-part chimney with the dimensions from 572 mm to 874 mm.

Clearance above gas appliances min. 65 cm (more than total load gas 12 kW min. 70 cm).

Clearance above electric appliances min. 55 cm.

For air recirculation an external air recirculation module is required.

The air recirculation module with activated charcoal filter can be installed on the inner chimney.

When installing a ventilation hood with air extraction mode and a chimney-vented fireplace, the power supply line of the ventilation appliance needs a suitable safety switch.

Connection

Total connected load 269 W.

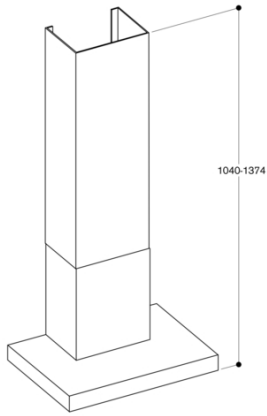
Connecting cable 1.3 m with plug.

Power consumption standby/display off 0.5 W.

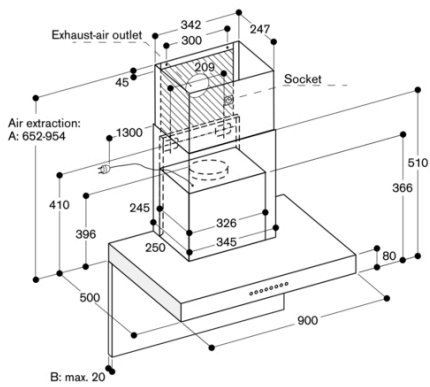
Please check the user manual for how to switch off the WiFi module.

GAGGENAU

AW 240 with AD 200 322

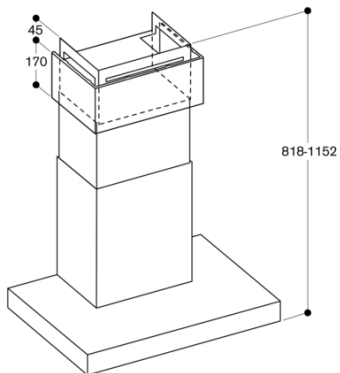


* Suitable for ceiling heights from 2.64 m to 2.97 m;
Specifications refer to the distance of 1.60 m from the floor
to the lower edge of the hood.



A: Suitable for ceiling heights from 2.25 m to 2.55 m;
Specifications refer to the distance of 1.60 m from the floor
to the lower edge of the hood.
B: Note the maximum thickness of the back panel.

AW 240 with AA 200 812



* Suitable for ceiling heights from 2.45 m to 2.75 m;
Specifications refer to the distance of 1.60 m from the floor
to the lower edge of the hood.