



AW250172
Wall-mounted hood 200 series
Full glass front in Gaggenau Anthracite
Width 70 cm
Air extraction / Air recirculation
Delivery without chimney

A+

Angled vapour screen provides particularly generous free space above the cooktop
 Filter cover with easy to clean glass front
 Glass cover fitting to oven 200 series
 Energy-saving, low-noise fan
 Vapours can be caught efficiently thanks to two suction areas on the underside and front
 The glass panel can be extended forward to increase the area for catching vapours during particularly intensive cooking
 Function for automatic, sensor-controlled power adjustment depending on the build-up of cooking vapours
 Dimmable ambient lighting allows light to be adjusted individually
 Air extraction or air recirculation system

Output
 Performance and noise level, output level 3/Intensive:
 Air output according to EN 61591.
 Sound power level according to EN 60704-3.
 Odour reduction for air recirculation in accordance with EN 61591.
 Air extraction:
 529 / 990 m³/h.
 57 / 70 dB (A) re 1 pW.
 Air recirculation:
 461 / 670 m³/h.
 68 / 78 dB (A) re 1 pW.
 Odour reduction air recirculation 95%.

Features
 3 electronically controlled power levels and 1 intensive mode.
 Automatic function with sensor-controlled run-on function.
 Grease filter and activated charcoal filter saturation indicator.
 Interval ventilation, 6 min.
 Cooktop-based ventilation control (with suitable cooktop).
 Metal grease filter, dishwasher-safe.
 Glass filter cover in Gaggenau Anthracite.
 2 activated charcoal filter fitted in appliance ex factory.
 Neutral white LED light (3500 K), continuously dimmable.
 Lamp output 2 x 3 W.
 Illuminance 519 lx.
 Indirect LED light (3.000 K), dimmable.
 Fan technology with highly efficient, brushless DC motor (BLDC).
 Integrated sound insulation for quiet operation.
 Easy to clean inner frame.
 Easy mounting system for simple installation and alignment.
 Home network integration for digital services (Home Connect) wireless via WiFi.
 The use of the Home Connect functionality depends on the Home Connect services, which are not available in every country. For further information please check: home-connect.com.

Consumption data
 Energy efficiency class A+ at a range of energy efficiency classes from A+++ to D.
 Energy consumption 36.7 kWh/year.

Color Variants

AW250172
Full glass front in Gaggenau Anthracite
Width 70 cm

Optional accessories

AA250112
2 regenerable activated charcoal filter
AA250113
2 activated charcoal filter

Installation Accessories

AD200012
Stainless steel air extraction chimney

Characteristics
Product name/family
Color chimney
Typology
 Wall-mounted
Approval certificates
 CE, Eurasian, G-Mark, Ukraine, VDE
Length electrical supply cord
 130
Required niche size for installation (HxWxD)
Height of the chimney
Height of product, without chimney
 452
Net weight
 21.170
Type of control
 Electronic
Number of speed settings
Maximum output air extraction
 529
Boost position output recirculating
 670.0
Maximum output recirculating air
 461
Boost position air extraction
 990
Number of lights
 2
Noise level
 57
Diameter of air outlet
 150
Grease filter material
 Washable aluminium
Odour filter
 Yes
Operating Mode
 Convertible
Delay Shut off modes
 10
Required accessories
Optional accessories
 AA250112, AA250113
Type of lamps used
 LED
Total power of the lamps
 6
Grease filter type
 Kasette
Clean filter reminders
Connection rating
 270
Fuse protection
 10
Voltage
 220-240
Frequency
 60; 50
Plug type
 Gardy plug w/ earthing
Installation typology
 Wall-mounted
Universal Product Code
Material body
 Glass, Stainless steel
Approval certificates
 CE, Eurasian, G-Mark, Ukraine, VDE
Length of electrical supply cord (in)
Plug type
 Gardy plug w/ earthing
Dimensions of the product, with chimney (if exists) (in)
 / x x
Dimensions of the packed product
 27.16 x 29.13 x 40.94
Height of the chimney (in)
Vertical rise height
Required distance above cooktop/ ranges
Net weight
 47.000
Gross weight
 68.000
Motor location
 Integrated motor in hood body
Maximum output recirculating air
Diameter of air duct (in) top
Diameter of air duct (in) back
Discharge direction
 No-return airflow flap

Ventilation efficiency class A.
 Illumination efficiency class A.
 Grease filter efficiency class B.
 Sound level min. 43 dB / max. 57 dB normal mode.

Planning notes

The ventilation appliance is supplied for air recirculation mode only without a chimney. The special accessory AD 200 012 is available for potential air extraction mode.
 Clearance above gas appliances min. 65 cm (more than total load gas 12 kW min. 70 cm).
 Clearance above electric appliances min. 45 cm.
 When installing a ventilation hood with air extraction mode and a chimney-vented fireplace, the power supply line of the ventilation appliance needs a suitable safety switch.

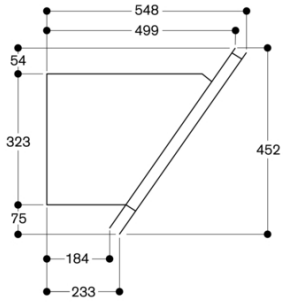
Connection

Total connected load 270 W.
 Connecting cable 1.3 m with plug.
 Power consumption standby/display off 0.5 W.
 Please check the user manual for how to switch off the WiFi module.

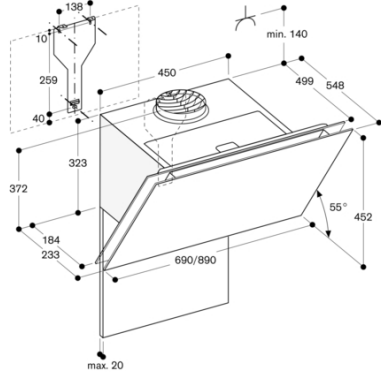
GAGGENAU

AW250172
Wall-mounted hood 200 series
Full glass front in Gaggenau Anthracite
Width 70 cm
Air extraction / Air recirculation
Delivery without chimney
2021-10-28
Page 2

Side view



Air recirculation



Air extraction

