



**AW270192**  
**Wall-mounted hood 200 series**  
**Full glass front in Gaggenau Anthracite**  
**Width 90 cm**  
**Air extraction / Air recirculation**  
**Delivery without chimney**



Vertical vapour screen provides particularly generous free space above the cooktop  
 Filter cover with easy to clean glass front  
 Glass cover fitting to oven 200 series  
 Energy-saving, low-noise fan  
 Vapours can be caught efficiently thanks to two suction areas on the underside and front  
 The glass panel can be extended forward to increase the area for catching vapours during particularly intensive cooking  
 Function for automatic, sensor-controlled power adjustment depending on the build-up of cooking vapours  
 Dimmable ambient lighting allows light to be adjusted individually  
 Air extraction or air recirculation system

**Output**  
 Performance and noise level, output level 3/Intensive:  
 Air output according to EN 61591.  
 Sound power level according to EN 60704-3.  
 Odour reduction for air recirculation in accordance with EN 61591.  
 Air extraction:  
 395 / 712 m<sup>3</sup>/h.  
 57 / 71 dB (A) re 1 pW.  
 Air recirculation:  
 288 / 510 m<sup>3</sup>/h.  
 63 / 74 dB (A) re 1 pW.  
 Odour reduction air recirculation 95%.

**Features**  
 3 electronically controlled power levels and 1 intensive mode.  
 Automatic function with sensor-controlled run-on function.  
 Grease filter and activated charcoal filter saturation indicator.  
 Interval ventilation, 6 min.  
 Cooktop-based ventilation control (with suitable cooktop).  
 Metal grease filter, dishwasher-safe.  
 Glass filter cover in Gaggenau Anthracite.  
 2 activated charcoal filter fitted in appliance ex factory.  
 Neutral white LED light (3500 K), continuously dimmable.  
 Lamp output 2 x 3 W.  
 Illuminance 578 lx.  
 Indirect LED light (3.000 K), dimmable.  
 Fan technology with highly efficient, brushless DC motor (BLDC).  
 Easy to clean inner frame.  
 Easy mounting system for simple installation and alignment.  
 Home network integration for digital services (Home Connect) wireless via WiFi.  
 The use of the Home Connect functionality depends on the Home Connect services, which are not available in every country. For further information please check: home-connect.com.

**Consumption data**  
 Energy efficiency class B at a range of energy efficiency classes from A+++ to D.  
 Energy consumption 45 kWh/year.  
 Ventilation efficiency class B.  
 Illumination efficiency class A.

**Characteristics**  
**Product name/family**  
**Color chimney**  
**Typology**  
 Chimney  
**Approval certificates**  
 CE, Eurasian, G-Mark, Ukraine, VDE  
**Length electrical supply cord (cm)**  
 130  
**Required niche size for installation (HxWxD)**  
**Height of the chimney (mm)**  
**Height of product, without chimney (mm)**  
 500  
**Net weight (kg)**  
 23.530  
**Type of control**  
 Electronic  
**Number of speed settings**  
**Maximum output air extraction (m3/h)**  
 396  
**Boost position output recirculating (m3/h)**  
 510.0  
**Maximum output recirculating air (m3/h)**  
 288  
**Boost position air extraction (m<sup>3</sup>/h)**  
 712  
**Number of lights**  
 2  
**Noise level (dB)**  
 57  
**Diameter of air outlet (mm)**  
 150  
**Grease filter material**  
 Washable aluminium  
**Odour filter**  
 Yes  
**Operating Mode**  
 Convertible  
**Delay Shut off modes**  
 10  
**Required accessories**  
**Optional accessories**  
 AA270112, AA270113  
**Type of lamps used**  
 LED  
**Total power of the lamps (W)**  
 6  
**Grease filter type**  
 Kasette  
**Clean filter reminders**  
**Connection rating (W)**  
 150  
**Fuse protection (A)**  
 10  
**Voltage (V)**  
 220-240  
**Frequency (Hz)**  
 60; 50  
**Plug type**  
 Gardy plug w/ earthing  
**Installation typology**  
 Wall-mounted  
**Universal Product Code**  
**Material body**  
 Glass, Stainless steel  
**Approval certificates**  
 CE, Eurasian, G-Mark, Ukraine, VDE  
**Length of electrical supply cord (in)**  
**Plug type**  
 Gardy plug w/ earthing  
**Dimensions of the product, with chimney (if exists) (in)**  
 / x x  
**Dimensions of the packed product (in)**  
 21.25 x 29.13 x 40.94  
**Height of the chimney (in)**  
**Vertical rise height**  
**Required distance above cooktop/ranges**  
**Net weight (lbs)**  
 52.000  
**Gross weight (lbs)**  
 68.000  
**Motor location**  
 Integrated motor in hood body  
**Maximum output recirculating air (CFM)**  
**Diameter of air duct (in) top**  
**Diameter of air duct (in) back**

Grease filter efficiency class B.  
 Sound level min. 43 dB / max. 57 dB normal mode.

**Planning notes**  
 The ventilation appliance is supplied for air recirculation mode only without a chimney. The special accessory AD 200 012 is available for potential air extraction mode.  
 Clearance above gas appliances min. 60 cm (more than total load gas 12 kW min. 70 cm).  
 Clearance above electric appliances min. 45 cm.  
 When installing a ventilation hood with air extraction mode and a chimney-vented fireplace, the power supply line of the ventilation appliance needs a suitable safety switch.

**Connection**  
 Total connected load 150 W.  
 Connecting cable 1.3 m with plug.  
 Power consumption standby/display off 0.5 W.  
 Please check the user manual for how to switch off the WiFi module.

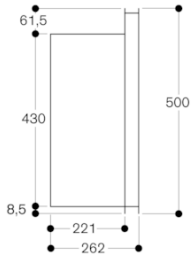
**Color Variants**  
**AW270192**  
**Full glass front in Gaggenau Anthracite**  
**Width 90 cm**

**Optional accessories**  
**AA270112**  
**2 regenerable activated charcoal filter**  
**AA270113**  
**2 activated charcoal filter**

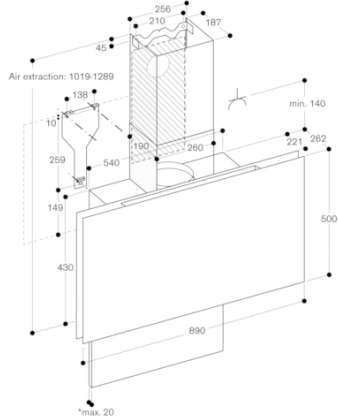
**Installation Accessories**  
**AD200012**  
**Stainless steel air extraction chimney**

AW270192  
 Wall-mounted hood 200 series  
 Full glass front in Gaggenau Anthracite  
 Width 90 cm  
 Air extraction / Air recirculation  
 Delivery without chimney  
 2021-08-24  
 Page 2

Side view



Air extraction



\* Note the maximum thickness of the back panel.

Air recirculation

