



AW290110

Optional accessories

AA290800:

Air recirculation module

Wall-mounted hood 200 series

90 cm, Stainless steel look

AW290110

Highlights

Glass user interface with surrounding aluminum frame.

Dimmable, neutral white LED light.

Energy-saving, low-noise fan.

Output

Performance and noise level, output level 3/Intensive:

Air output according to EN 61591.

Sound power level according to EN 60704-3.

Air extraction:

396 / 946m³/h.

57 / 76 dB (A) re 1 pW.

Air recirculation:

406 / 888m³/h.

64 / 78 dB (A) re 1 pW.

Features

3 electronically controlled power levels and 1 intensive mode.

Perforated sheet metal filter, dishwasher-safe.

Neutral white LED light (3500 K).

Light colour in different white tones (2700 - 5000 K) can be adjusted via Gaggenau Home Connect.

Illuminance 461 lx continuously dimmable.

Lamp output 2 x 3 W.

Fan technology with highly efficient, brushless DC motor (BLDC).

Interval ventilation via Gaggenau Home Connect.

Grease filter and odour filter saturation indicator via Gaggenau Home Connect.

Selected digital services (Gaggenau Home Connect)

Cooktop-based ventilation control (with suitable cooktop).

Remote control and monitoring.

Software updates.

Remote diagnostics.

Consumption data

Energy efficiency class A+ at a range of energy efficiency classes from A+++ to D.

Energy consumption 34.5 kWh/year.

Ventilation efficiency class A.

Illumination efficiency class A.

Grease filter efficiency class B.

Sound level min. 43 dB / max. 57 dB normal mode.

Planning notes

The equivalent ducting length to ensure good performance is L_{max} 26 m.

Please refer to the "General planning notes" for the calculation of the equivalent ducting length.

The package includes the two-part chimney.

Total appliance height from 635 mm to 895 mm.

Clearance above gas appliances min. 65 cm (more than total load gas 12 kW min. 70 cm).

Clearance above electric appliances min. 55 cm.

For air recirculation an air recirculation module is required.

Air recirculation module with 1 odour filter and special recirculation chimney. Total appliance height from 803 mm to 1080 mm.

Easy planning and installation of the air recirculation module in the hood.

Easy access to odour filter from below.

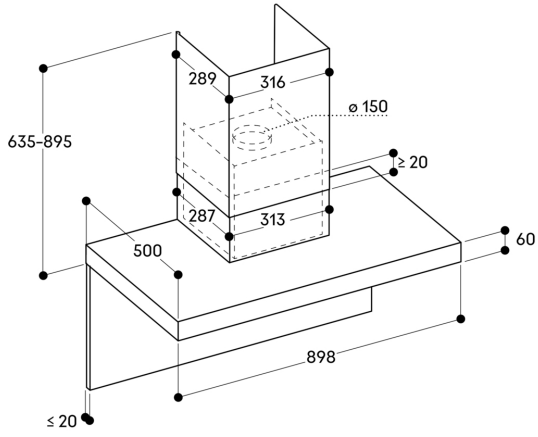
When installing a ventilation hood with air extraction mode and a chimney-vented fireplace, the power supply line of the ventilation appliance needs a suitable safety switch.

Connection

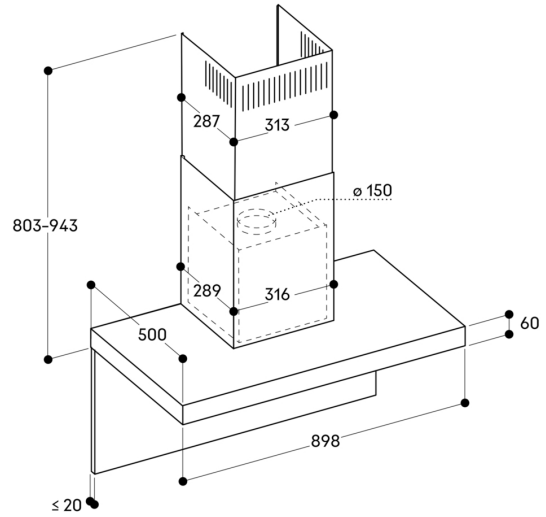
Total connected load 240 W.

Connecting cable 1.3 m with plug.

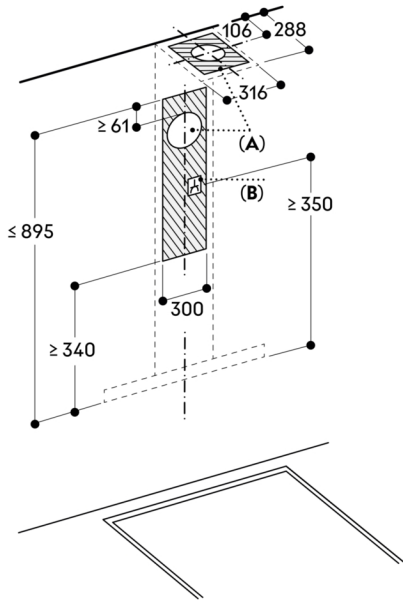
AW 290 with AA 290 800



Measurements in mm

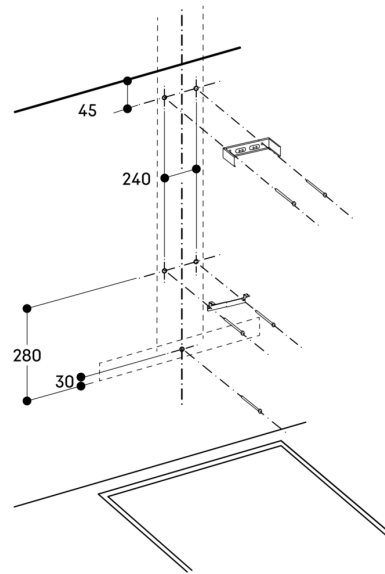


Measurements in mm



- A: Exhaust air outlet D160
- B: Accessible electrical connection

Measurements in mm



Measurements in mm