



AW442190

A

Optional accessories

AA400510:

Window contact switch with cable

AA442110:

Active charcoal filter for AA 442 810

AA442810:

Recirculation module w.active charcoal

AD442392:

Ceiling Collar Stainless Steel Wall

Installation accessories

AD442012:

Chimney exhaust air stainless steel

AD442022:

Chimney exhaust air stainless steel

AD442112:

Chimney recirculation stainless steel

AD442122:

Chimney recirculation stainless steel

Wall-mounted hood 400 series

90 cm, Stainless steel

AW442190

Professional technology hood combined with classic Gaggenau design

Highly efficient extraction of cooking vapours due to large vapour collection area

Motorless, can be combined with Gaggenau BLDC remote fan units

Angled baffle filter with high grease absorption
Function for automatic, sensor-controlled power adjustment depending on the build-up of cooking vapours

Dimmable, neutral white surface LED light for ideal illumination of the cooktop

Air extraction or air recirculation system

Air recirculation module with activated charcoal filter: quiet and highly efficient air recirculation solution with odour reduction as in air extraction mode and long replacement intervals

Output

Power levels depend on the remote fan unit.

Features

2 control panels

3 electronically controlled power levels and 1 intensive mode.

Automatic function with sensor-controlled run-on function.

Grease filter saturation indicator.

Baffle filter, dishwasher-safe.

Neutral white surface LED light (3500 K), continuously dimmable.

Lamp output 2 x 10 W.

Illuminance 710 lx.

Easy mounting system for simple installation and alignment.

Consumption data

Consumption data is referred to a configuration with the remote fan unit AR 400 143.

Energy efficiency class A at a range of energy efficiency classes from A+++ to D.

Energy consumption 40.8 kWh/year.

Ventilation efficiency class A.

Illumination efficiency class A.

Grease filter efficiency class B.

Sound level min. 47 dB / max. 63 dB normal mode.

Planning notes

The two-part chimney must be ordered as an installation accessory.

Connection to the respective appliances via network cable.

Clearance above gas appliances min. 70 cm.

Clearance above electric appliances min. 60 cm.

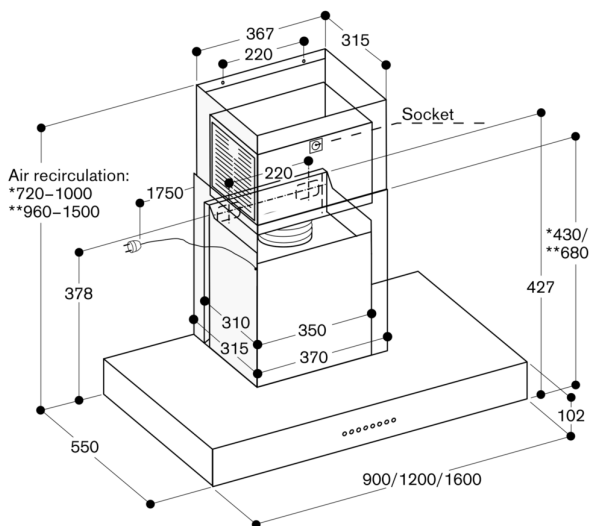
Air recirculation module with 2 activated charcoal filters is installed in the inner chimney. Special air recirculation chimneys are available for this.

When installing a ventilation hood with air extraction mode and a chimney-vented fireplace, the power supply line of the ventilation appliance needs a suitable safety switch.

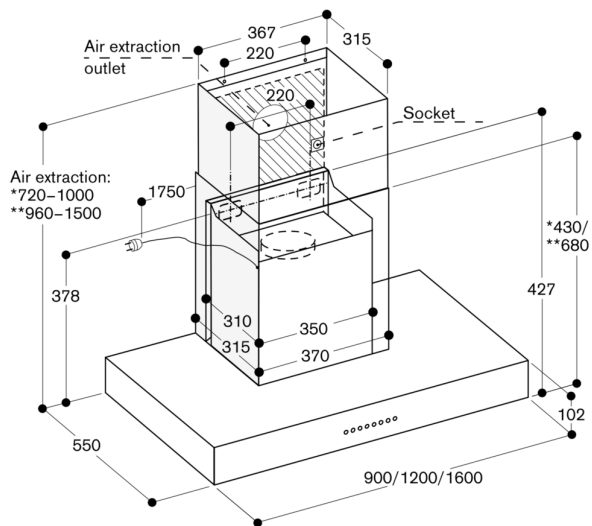
Connection

Total connected load 30 W.

Connecting cable 1.8 m, pluggable.



- * With air recirculation chimney AD 442 112, suitable for ceiling heights from 2.35 m to 2.60 m.
- ** With air recirculation chimney AD 442 122, suitable for ceiling heights from 2.60 m to 3.10 m; Specifications refer to the distance of 1.60 m from the floor to the lower edge of the hood.



- * With air extraction chimney 442 012, suitable for ceiling heights from 2.35 m to 2.60 m.
- ** With air extraction chimney AD 442 022, suitable for ceiling heights from 2.60 m to 3.10 m; Specifications refer to the distance of 1.60 m from the floor to the lower edge of the hood.