



BMP250110

Combi-microwave oven 200 series
60 x 45 cm, door hinge: right, Gaggenau
Metallic
BMP250110

Flush installation.

Single operation and combination of microwave, grill and oven

Sequential operation of up to 5 modes incl. programming of combined operation and rest time

TFT touch display

Panel-free appliance with surface control module

Electronic temperature control

Interior volume 36 litres

Programmes

Microwave operation with 5 output levels: 1000, 600, 360, 180, 90 W.

Oven operation with 4 heating methods:

Hot air 40 °C and from 100 °C to 250 °C, Full surface grill + hot air from 100 °C to 250 °C, Full surface grill + circulated air from 100 °C to 250 °C, Full surface grill with 3 levels of intensity, maximum output 2000 W.

Heating methods with microwave output levels 600, 360, 180 and 90 W freely combinable.

15 automatic programmes with weight indication, customisable:

4 defrosting programmes 4 cooking programmes 7 combination programmes
Option to save individual recipes.

Handling

Rotary knob and TFT touch display operation.

Clear text display.

Information key with use indicators.

Side-opening door opens up to 110° angle.

Features

Innowave.

Rapid heating.

Timer functions: cooking time, cooking time end, timer, stopwatch, long-term timer (certified by Star-K).

4 tray levels.

Actual temperature display.

60 W halogen light on the side.

Safety

Thermally insulated door with triple glazing.

Child lock.

Safety shut-off.

Cooled housing with temperature protection.

Cleaning

Hygienic stainless steel interior with glass ceramic base.

Interior back wall with catalytic coating.

Planning notes

Door hinge not reversible.

Plan the niche without back wall.

Necessary lateral gap between appliance door and furniture panel of min. 5 mm.

The door panel surface of the appliance extends 21 mm from the furniture cavity.

The outer edge of the door handle extends 72 mm from the furniture cavity.

Consider the overhang, incl. the door handle, when planning to open drawers next to the appliance.

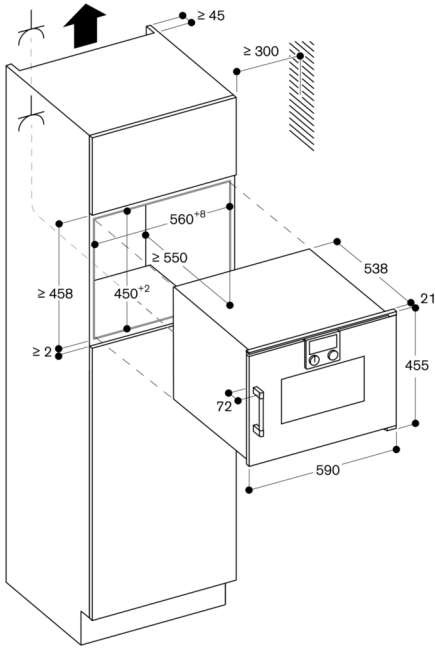
When planning a corner solution, pay attention to the side-opening door and the minimum required distance to the wall.

The mains socket needs to be planned outside of the built-in niche.

Connection

Total connected load 3.1 KW.

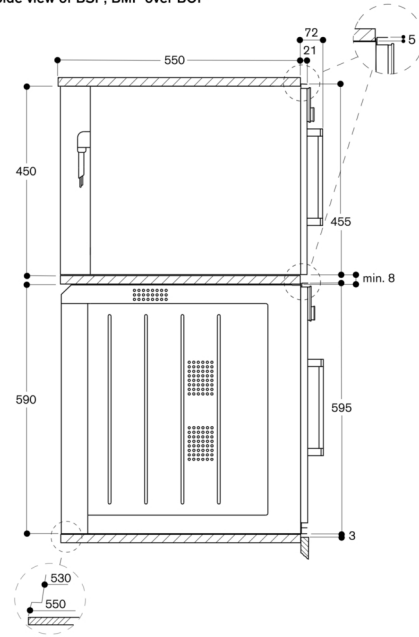
Connecting cable 1.5 m without plug.



Socket

measurements in mm

Side view of BSP, BMP over BOP



Side view of BMP over BOP

