



BO450111
Oven 400 series
Stainless steel-backed full glass door
Width 60 cm
Right-hinged
Controls at the top

Handleless door / automatic door opening
 Pyrolytic system
 13 heating methods, with core temperature probe and baking stone function
 TFT touch display
 Panel-free appliance with surface control module
 Electronic temperature control from 30 °C to 300 °C
 Net volume 76 litres

Heating methods
 Hot air. Eco hot air. Top + bottom heat. Top heat. Bottom heat. Hot air + bottom heat. Full surface grill + circulated air. Full surface grill. Compact grill. Baking stone function. Roaster function. Dough proofing. Defrosting.

Handling
 Automatic door opening.
 Rotary knob and TFT touch display operation.
 Clear text display.
 Option to save individual recipes (incl. core temperature probe).
 Information key with use indicators.
 Side-opening door opens up to 180° angle.

Features
 Core temperature probe with automatic shut-off.
 Baking stone socket.
 Actual temperature display.
 Rapid heating.
 Timer functions: cooking time, cooking time end, timer, stopwatch, long-term timer.
 60 W halogen light on the top.
 10 W halogen light on the side.
 Enamelled side shelf supports with 4 tray levels, pyrolysis-safe.

Safety
 Thermally insulated door with quadruple glazing.
 Child lock.
 Safety shut-off.
 Cooled housing with temperature protection.

Cleaning
 Pyrolytic system.
 Gaggenau enamel.
 Heated catalyser to clean the oven air.

Planning notes
 Door hinge not reversible.
 The door panel surface of the appliance extends 47 mm from the furniture cavity.
 If the handle (optional accessory) is retrofitted, the outer edge of the door handle extends 94 mm from the furniture cavity.
 Consider the overhang, incl. the door handle where applicable, when planning to open drawers next to the appliance.
 When planning a corner solution, pay attention to the 90° door opening angle.
 To achieve the 550 mm installation depth, the connection cable needs to follow the slanted edge on the lower right hand corner of the housing.
 The mains socket needs to be planned outside of the built-in niche.

Connection
 Energy efficiency class A at a range of energy efficiency classes from A+++ to D.

Characteristics
Color / Material Front
 Stainless steel
Built-in / Free-standing
 Built-in
Integrated Cleaning system
 Hydrolytic, Pyrolytic
Required niche size for installation (HxWxD)
 590-590 x 560-560 x 550
Dimensions
 595 x 590 x 547
Dimensions of the packed product (HxWxD) (mm)
 780 x 760 x 680
Control Panel Material
Door Material
 Stainless steel behind glass
Net weight (kg)
 55.971
Usable volume of cavity (l)
 76
Cooking method
 Baking stone function, Bottom heat, Conventional heat, Defrost, Dough proving setting, Full width grill, Half width grill, Hot Air, Hot Air-Eco, Hot air grilling, Roaster function, Top heat
First cavity material
Number of interior lights
 2
Approval certificates
 Australia Standards, CCC, CE, China, China ROHS 20, Eurasian, G-Mark, Ukraine, VDE
Length electrical supply cord (cm)
Interior Lights - cavity 1
 2
Pull-out system
 Accessory
Clock function
 Alarm, Off, On, timer
Included accessories
 1 x enamel baking tray, suit. pyrolytic clean, 1 x glass pan, 1 x grill shelf, 1 x pluggable meat probe
Bake Element Wattages cavity 1 (W)
Broil Element Wattages cavity 1 (W)
 3000
Convection Element Wattages cavity 1 (W)
 2100
Microwave wattage cavity 1 (W)
Drawer wattage (W)

Consumption and connection features
Energy efficiency rating
 A
Energy consumption per cycle conventional - NEW (2010/30/EC)
 1.25
Energy consumption gas oven per cycle conventional - NEW (2010/30/EC)
 0.83
Energy consumption gas oven per cycle forced air convection - NEW (2010/30/EC)
 0.83
Energy efficiency index (2010/30/EC)
 95.4
Connection rating (W)
 3700
Current (A)
 16
Voltage (V)
 220-240
Frequency (Hz)
 50
Plug type
 fixed connection, no plug
Connecting cable type
Universal Product Code
 825225914259
Color / Material Front
 Stainless steel
Alternative colors available
Energy input
 Electric
Approval certificates
 Australia Standards, CCC, CE, China, China ROHS 20, Eurasian, G-Mark,

Total connected load 3.7 KW.
 Plan a connection cable.

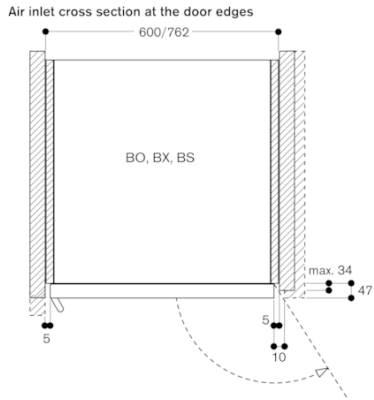
Color Variants
BO450111
Stainless steel-backed full glass door
Width 60 cm

Included accessories
 1 x enamel baking tray, suit. pyrolytic clean.
 1 x glass pan.
 1 x grill shelf.
 1 x pluggable meat probe.

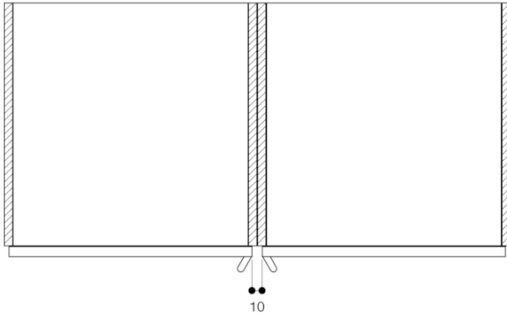
Optional accessories
BA016105
Pull-out system
BA026115
Baking tray, enamelled
BA036105
Wire rack, chromium-plated.
BA046115
Glass tray
BA056115
Heating element for baking stone and Gastronorm roaster.
BA056133
Baking stone.
BA226105
Grill tray, enamelled
BS020002
Pizza paddle, set of 2.
GN340230
Gastronorm roaster in cast aluminium.

Product Variants
BO451111
Oven 400 series
Stainless steel-backed full glass door
Width 60 cm
Left-hinged
Controls at the top

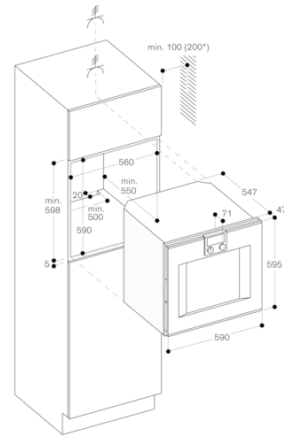
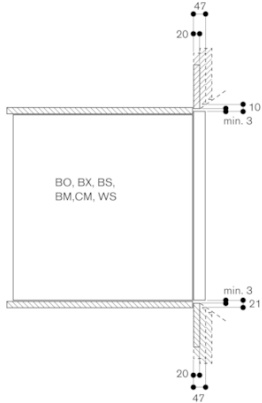
BO450111
 Oven 400 series
 Stainless steel-backed full glass door
 Width 60 cm
 Right-hinged
 Controls at the top
 2020-11-25
 Page 2



When installed next to each other



Cross section of the top/bottom door edge gaps



*200 mm in conjunction with BA 016