



BS470111
Combi-steam oven 400 series
Stainless steel-backed full glass door
Width 60 cm
Right-hinged
Controls at the top

Handleless door / automatic door opening
 Fixed inlet and outlet water connection
 Cleaning system, fully automatic
 Hot air 30 °C to 230 °C can be combined with chosen humidity level of 0%, 30%, 60%, 80% or 100%
 Sous-vide cooking with accurate temperature regulation
 Full surface grill behind glass ceramic, combinable with circulated air up to 230 °C and steam
 TFT touch display
 Panel-free appliance with surface control module
 Steaming without pressure
 Electronic temperature control from 30 °C to 230 °C
 Core temperature probe, removable
 Net volume 44 litres

Heating methods
 Hot air + 100 % humidity.
 Hot air + 80 % humidity.
 Hot air + 60 % humidity.
 Hot air + 30 % humidity.
 Hot air + 0 % humidity.
 Low temperature cooking.
 Sous-vide cooking.
 Full surface grill level 1 + humidity.
 Full surface grill level 2 + humidity.
 Full surface grill + circulated air.
 Full surface grill.
 Defrosting.
 Regenerating.

Handling
 Automatic door opening.
 Rotary knob and TFT touch display operation.
 Clear text display.
 Option to save individual recipes (incl. core temperature probe).
 Information key with use indicators.
 Side-opening door opens up to 180° angle.

Features
 Full surface grill 2 KW behind glass ceramic.
 Steam removal.
 Misting.
 Core temperature probe with automatic shut-off.
 Actual temperature display.
 Timer functions: cooking time, cooking time end, timer, stopwatch, long-term timer.
 Electronic boiling point detection.
 Capacity display for filter cartridge (if connected to GF 111 100 descaling system).
 48 W halogen light on the side.
 Hygienic stainless steel cooking interior.
 4 tray levels.

Safety
 Child lock.
 Safety shut-off.
 Cooled housing with temperature protection.

Cleaning
 Cleaning programme, fully automatic.
 Descaling programme, fully automatic.
 Drying programme.
 Strainer filter, removable.
 Demo cleaning programme.

Planning notes
 Door hinge not reversible.

Characteristics

Color / Material Front
Built-in / Free-standing
 Built-in
Door opening
 Lateral
Required niche size for installation (HxWxD)
 450-450 x 560-560 x 550
Dimensions
 455 x 590 x 535
Dimensions of the packed product (HxWxD) (mm)
 575 x 660 x 690
Control Panel Material
Door Material
 Stainless steel behind glass
Net weight (kg)
 46.871
Approval certificates
 Australia Standards, CCC, CE, China, China ROHS 20, Eurasian, G-Mark, Ukraine, VDE

Length electrical supply cord (cm)

Cooking method
 , Defrost, Full width grill, grill + steam, Hot Air, Hot air + steam 100%, Hot air + steam 30%, Hot air + steam 60%, Hot air + steam 80%, Hot air grilling, Regeneration
Time-setting Options
Electrical connection rating (W)
Current (A)
 12
Voltage (V)
 220-240
Frequency (Hz)
 50
Plug type
 fixed connection, no plug
Connecting cable type

Approval certificates
 Australia Standards, CCC, CE, China, China ROHS 20, Eurasian, G-Mark, Ukraine, VDE
Universal Product Code
 825225914884
Color / Material Front
Alternative colors available
 BS470101
Energy input
 Electric
Current (A)
 12
Voltage (V)
 220-240
Frequency (Hz)
 50

Approval certificates
 Australia Standards, CCC, CE, China, China ROHS 20, Eurasian, G-Mark, Ukraine, VDE
Length of electrical supply cord (in)
Plug type
 fixed connection, no plug
Appliance Dimensions (h x w x d) (in)
Required cutout/niche size for installation (in)
Dimensions of the packed product (in)
Net weight (lbs)
 103.000
Gross weight (lbs)
 109.000

Consumption and connection features
 2021-02-22
 Page 1

Consumption and connection features
 2021-02-22
 Page 1

Consumption and connection features
 2021-02-22
 Page 1

Consumption and connection features
 2021-02-22
 Page 1

Consumption and connection features
 2021-02-22
 Page 1

Consumption and connection features
 2021-02-22
 Page 1

Consumption and connection features
 2021-02-22
 Page 1

Consumption and connection features
 2021-02-22
 Page 1

Consumption and connection features
 2021-02-22
 Page 1

Consumption and connection features
 2021-02-22
 Page 1

Consumption and connection features
 2021-02-22
 Page 1

Consumption and connection features
 2021-02-22
 Page 1

Consumption and connection features
 2021-02-22
 Page 1

Consumption and connection features
 2021-02-22
 Page 1

Consumption and connection features
 2021-02-22
 Page 1

Consumption and connection features
 2021-02-22
 Page 1

Consumption and connection features
 2021-02-22
 Page 1

Consumption and connection features
 2021-02-22
 Page 1

Color Variants

BS470111
Stainless steel-backed full glass door
Width 60 cm
BS470101
Full glass door in Gaggenau Anthracite
Width 60 cm

Included accessories

1 x outlet hose 3m.
 1 x STS tray-GN2/3-punched-40 mm deep.
 1 x STS tray-GN2/3-unpunched-40 mm deep.
 1 x grid.
 1 x pluggable meat probe.
 1 x water inlet hose 3m.
 4 x cleaning cartridge.

Optional accessories

CLS10040
Cleaning cartridges, set of 4
CLS20040
Descaling cartridges, set of 4
GN114130
Gastronorm insert, stainless steel, GN 1/3
GN114230
Gastronorm insert, stainless steel, GN 2/3
GN124130
Gastronorm insert, stainless steel, GN 1/3
GN124230
Gastronorm insert, stainless steel, GN 2/3
GN340230
Gastronorm roaster in cast aluminium.

Installation Accessories

GF111100
Water descaling system
GF121110
Filter cartridge.
GZ010011
Extension for water inlet and outlet (2 m long)

Product Variants

BS471111
Combi-steam oven 400 series
Stainless steel-backed full glass door
Width 60 cm
Left-hinged
Controls at the top
BS474111
Combi-steam oven 400 series
Stainless steel-backed full glass door
Width 60 cm
Right-hinged
Controls at the bottom
BS475111
Combi-steam oven 400 series

No other electrical appliances should be installed above the BS.

At no point may the outlet hose be positioned higher than the bottom edge of the appliance. The outlet hose must also be at least 100 mm lower than the appliance outlet (see drawing "drainage connection").

Inlet hose can be extended once. The outlet hose must not be longer than a maximum of 5 m.

The water connection (1) for the inlet hose must always be accessible and not located directly behind the appliance.

The connection of the outlet hose to the siphon (2) must not be directly behind the appliance and should be accessible.

The descaling system GF 111 100 (3) must be installed when connecting the appliance if the water hardness exceeds 7° dH.

The door panel surface of the appliance extends 47 mm from the furniture cavity.

If the handle (optional accessory) is retrofitted, the outer edge of the door handle extends 94 mm from the furniture cavity.

Consider the overhang, incl. the door handle where applicable, when planning to open drawers next to the appliance.

When planning a corner solution, pay attention to the 90° door opening angle.

To achieve the 550 mm installation depth, the water hoses and connection cable needs to follow the slanted edge on the corner of the housing.

The mains socket needs to be planned outside of the built-in niche.

Connection

Energy efficiency class A at a range of energy efficiency classes from A+++ to D.

Total connected load 2.9 KW.

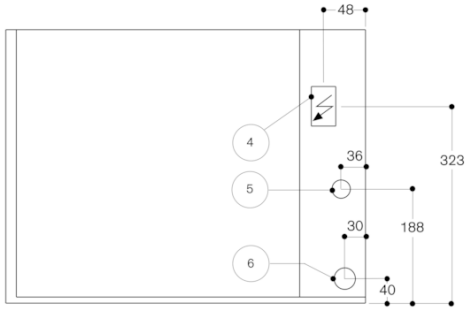
Only cold water connection.

Inlet hose 3.0 m with 3/4 " (26,4 mm) connection, extendable.

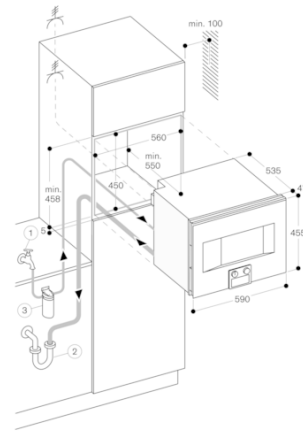
Outlet hose (ø 25 mm) 3.0 m (HT-Hose). Plan a connection cable.

BS470111
 Combi-steam oven 400 series
 Stainless steel-backed full glass door
 Width 60 cm
 Right-hinged
 Controls at the top

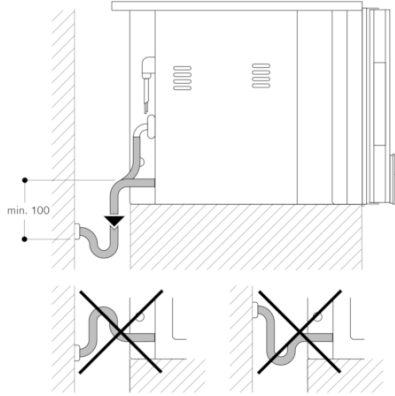
View from the back



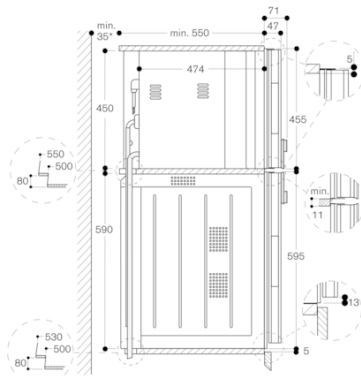
(4) electric terminal box
 (5) cold-water connection
 (6) water outlet



Drainage connection



Side view of BS 474/475 above BO



* Only required if the water hoses for the BS steam oven cannot be accommodated in the corner recesses of the appliances.