



CE291101

Glass ceramic cooktop 200 series

90 cm

CE291101

– Frameless for flush mounting

– Frameless for flush mounting.

Frying sensor function

Three-ring cooking zone up to 27 cm

Large roasting zone

Sensor control with direct selection of output level

Cooking zones

2 Super-Quick cooking zones \varnothing 18 cm (1800 W); together they convert to 18 x 41.5 cm (4400 W) roasting zone.

1 Super-Quick cooking zone \varnothing 12 cm (750 W), converts to \varnothing 21 cm (2100 W, with booster 2600 W) cooking zone.

1 Super-Quick cooking zone \varnothing 14.5 cm (1050 W), converts to \varnothing 21 cm (2200 W) or \varnothing 27 cm (3080 W) cooking zone.

1 Super-Quick cooking zone \varnothing 14.5 cm (1200 W, with booster 1600 W).

Handling

Sensor control with direct selection of output level.

Cooking zone marking.

Electronic power control in 17 output levels.

Features

Frying sensor function for \varnothing 21 cm cooking zone.

Booster function.

Cooking timer for up to 99 minutes.

Short-term timer.

Options menu.

Safety

Main switch.

Operation indicator.

2-stage residual heat indication.

Child lock.

Safety shut-off.

Planning notes

Immersion depth 51 mm, depth at plug socket 51 mm.

The cooktop must not be installed lower than the top edge of the worktop.

Under the plug socket, a 10 mm clearance must be observed from side panels or from intermediate shelf.

The cooktop must be freely accessible from underneath to be able to detach the cooktop's base in a downward direction.

Installation possible in a 60 cm wide lower cabinet.

Appliance must be fixed from underneath.

Cooktop clamping range: 20 - 50 mm.

Joint width may vary due to dimensional tolerances of the glass ceramic cooktop and the worktop cut-out.

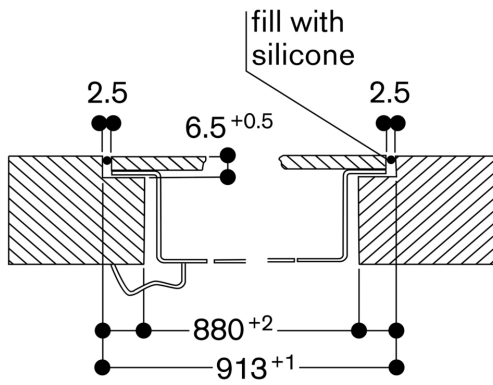
Appliance weight: approx. 13 kg.

Connection

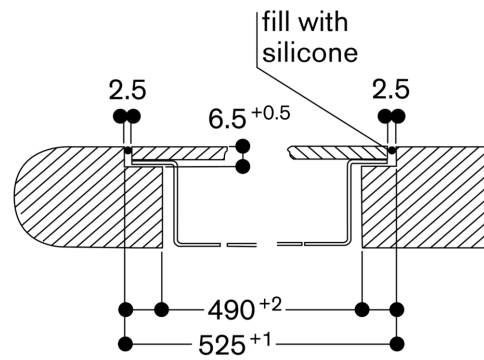
Total connected load 11.0 KW.

Plan a connection cable.

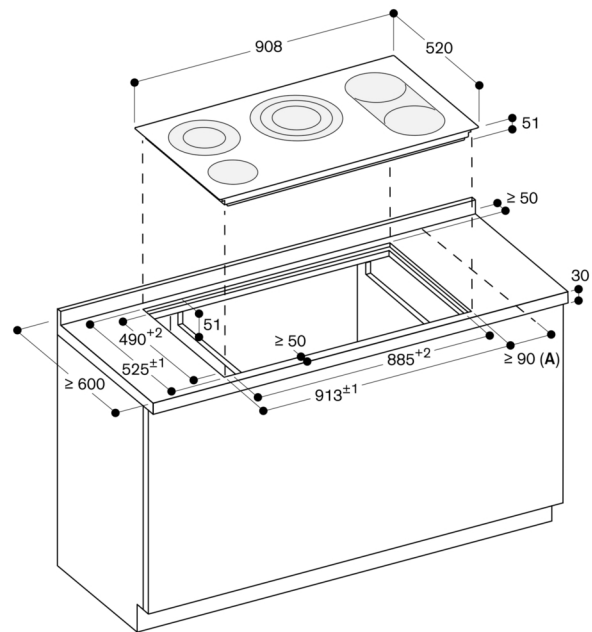
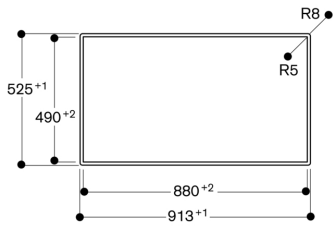
Longitudinal section



Cross section



View from above



A: Minimum distance from the hob cut-out to the wall.

measurements in mm