

Color Variants
CI261113
Stainless steel frame
Width 60 cm

CI261113
Induction cooktop 200 series
Stainless steel frame
Width 60 cm

Sturdy stainless steel frame
Oval roasting zone switches on automatically
Sensor control with direct selection of output level

Cooking zones

1 induction cooking zone ø 18 cm (1800 W, with booster 3100 W), automatically switches to a 18 x 28 cm roasting zone (2000 W, with booster 3700 W).
 1 induction cooking zone ø 21 cm (2200 W, with booster 3700 W).
 1 induction cooking zone ø 18 cm (1800 W, with booster 3100 W).
 1 induction cooking zone ø 15 cm (1400 W, with booster 2200 W).

Handling

Sensor control with direct selection of output level.
 Cooking zone marking.
 Electronic power control in 17 output levels.

Features

Booster function for each cooking zone.
 Cooking timer for up to 99 minutes.
 Short-term timer.
 Options menu.
 Power management.

Safety

Main switch.
 Operation indicator.
 Pot detection.
 Child lock.
 Safety shut-off.

Planning notes

Operates with magnetic (induction) iron pots and pans only. For an optimal heat distribution, the use of sandwich bottom cookware is recommended. The wok pan WP 400 001 cannot be used with this appliance. Immersion depth 55 mm. Intermediate shelf is recommended. Appliance must be fixed from underneath. Cooktop clamping range: 20 - 40 mm. Appliance weight: approx. 13 kg.

Connection

Total connected load 7.4 kW.
 Connecting cable 1.5 m without plug.

Characteristics

Product name/family
 Cooking zone ceramic

Construction type
 Built-in

Energy input
 Electric

Total number of positions that can be used at the same time
 4

Type of control setting devices
 Required niche size for installation (HxWxD)
 55 x 560-560 x 490-490

Width of the product (mm)
 590

Dimensions of the product (mm)
 55 x 590 x 520

Dimensions of the packed product (HxWxD) (mm)
 130 x 750 x 600

Net weight (kg)
 13.306

Gross weight (kg)
 14.6

Residual heat indicator
 Separate

Location of control panel
 Hob front

Type of external control possibility
 Basic surface material
 Ceramic

Color of surface
 Black, Stainless steel

Color of frame
 Stainless steel

Approval certificates
 AENOR, CE

Length electrical supply cord (cm)
 150

Knob Material
 Sealed Burners
 No

heating with booster
 All

Type of pan support
 Natural Gas Connection Rating (BTU)
 LP Gas Connection Rating (BTU)
 Dimension of 1st heating element (in)
 Power of heating element (kW)
 1.8

Power of 1st burner (BTU)
 Dimension of 2nd heating element (in)
 Power of 2nd heating element (kW)
 Power of 2nd burner (BTU)
 Dimension of 3rd heating element (in)
 Power of 3rd heating element (kW)
 1.8 ; 2

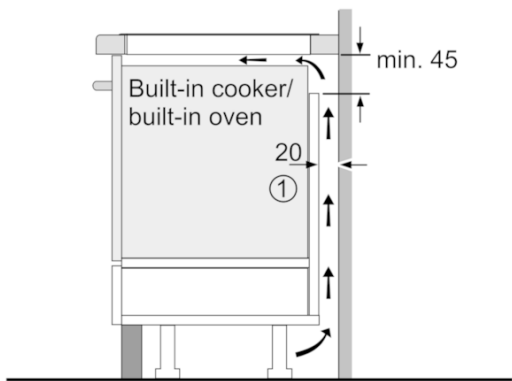
Power of 3rd burner (BTU)
 Dimension of 4th heating element (in)
 Power of 4th heating element (kW)
 Power of 4th burner (BTU)
 Dimension of 5th heating element (in)
 Power of 5th heating element (kW)
 1.4

Power of 5th burner (BTU)
 Dimension of 6th heating element (in)
 Power of heating element (kW in boost)
 [3.1]
 Power of 2nd heating element (kW in boost)
 Power of 3rd heating element (kW in boost)
 [3.7, 3.1]
 Power of 4th heating element (kW in boost)
 Power of 5th heating element (kW in boost)
 [2.2]
 Power of 6th heating element (kW in boost)

Consumption and connection features
 Electrical connection rating (W)
 7400

Gas connection rating (W)
 Current (A)
 Voltage (V)
 220-240

Frequency (Hz)



①
Ventilation gap must
be present

All measurements in mm

